



TECHNICAL GUIDANCE

Corrosion-resistant purgometer with a fluorocarbon resin body for measuring medium flow rates of liquids

P-773 Purgometer

OUTLINE

The **P-773** is a purgometer with a PFA-mold integral body. All parts are fused without mechanical sealing such as O-rings. The float rod is also eliminated to meet more stringent requirements for cleanliness. Its compact design with a face-to-face dimension of 115 mm facilitates assembly onto various types of devices.

MAJOR APPLICATIONS

Pure/ultra-pure waterlines and chemical lines in semiconductor production

STANDARD SPECIFICATIONS

Measuring fluid	Liquids	
Measuring range	Water	Min. 0.1 to 1 L/min Max. 1 to 10 L/min
Range ability	10 : 1	
Indication accuracy	±5% F.S.	
Fluid pressure	Max. 0.5MPa	
Fluid temperature	Max. 60°C	
Material	Meter body	PFA
	Tapered tube	PFA
	Gasket	For models with a valve : PTFE
	Side plate	PVC
Cover	PVC	
Process connection	Tube end fitting: (OD) 3/8" (Standard), Other Rc : 1/4", 3/8" NPT : 1/4", 3/8"	
Mounting	Screw mount on the panel front (Standard)	
Mass	approx. 0.6 kg	

ALARM CONTACT AND OUTPUT

Type	Availability	
Reed switch type alarm unit	General	×
	UL-approved	○
PAU optical alarm unit	○	

For CE approval, refer to "Index & Quick Reference for P Series Purgometers" (TG-S0001).

STANDARD FLOW RATE TABLE

For alarm output codes of 0 or E	For alarm output codes of A to D	
Water	Water	Alarm setting range
0.1 to 1 L/min		
0.2 to 2 L/min	0.2 to 2 L/min	0.4 to 1.6 L/min
0.3 to 3 L/min	0.3 to 3 L/min	1 to 2.4 L/min
0.5 to 5 L/min	0.5 to 5 L/min	1 to 4 L/min
1 to 10 L/min	1 to 10 L/min	2 to 8 L/min

Although other flow rate specifications are available, some flow ranges need to be changed. Contact us for details.



BASIC MODEL CODE

Model Code	Descriptions	Notes	
P-773 - □ □ □ □ □			
- 0	Not provided	Refer to "Index & Quick Reference for P Series Purgometers" (TG-S0001).	
- U	Outlet		
- Z	Special		
Alarm output	0	Not provided	
	A	Reed switch alarm (LO)	
	B	Reed switch alarm (LC)	
	C	Reed switch alarm (HO)	
	D	Reed switch alarm (HC)	
	E	PAU alarm unit provided	
Z	Special		
Flow range	A	0.1 to 1 L/min	Available only when the alarm output code is 0 (Not provided)
	B	0.2 to 2 L/min	
	1	0.3 to 3 L/min	
	2	0.5 to 5 L/min	
	3	1 to 10 L/min	
	Z	Special	
Process connection	1	Rc1/4	
	2	Rc3/8	
	3	1/4NPT	
	4	3/8NPT	
	5	Tube end fitting (3/8"×t1.59) (Standard)	
	6	Tube end fitting (1/2"×t1.59)	
	7	Tube end fitting (φ8×t1)	
	8	Tube end fitting (φ10×t1)	
	9	Tube end fitting (φ12×t1)	
Z	Special		

OTHER AVAILABLE OPTIONS

You can specify the following options:

Length of reed switch lead wire, double graduations, special graduations, etc.

For details, refer to "Index & Quick Reference for P Series Purgometers" (TG-S0001).

ORDERING INFORMATION

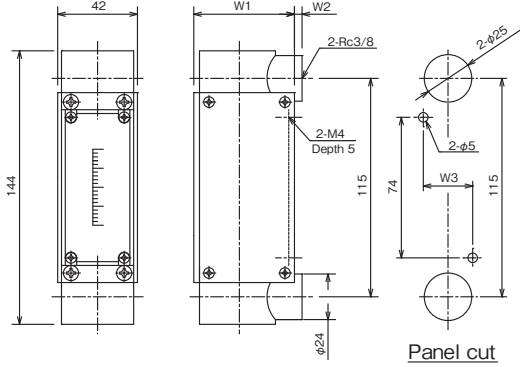
Basic model code	Items to be specified
P-773-□-□□□	① Fluid name - ② Flow range - ③ Press. - ④ Temp. - ⑤ Mounting option - ⑥ Other options
(Select in the model code table.)	(Refer to "Index & Quick Reference for P Series Purgemeters" (TG-S0001).)

DIMENSIONS

● Standard type

P-773-00□2

- Screw mounting on the panel front
- Without a valve

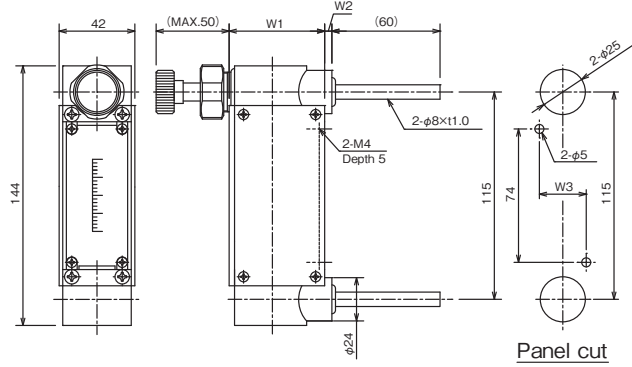


Flow range code	W1 (mm)	W2 (mm)	W3 (mm)
A	39	13	22
B,1	42	10	22
2,3	53	4	26

● Standard type

P-773-U0□7

- Screw mounting on the panel front
- Valve at the outlet

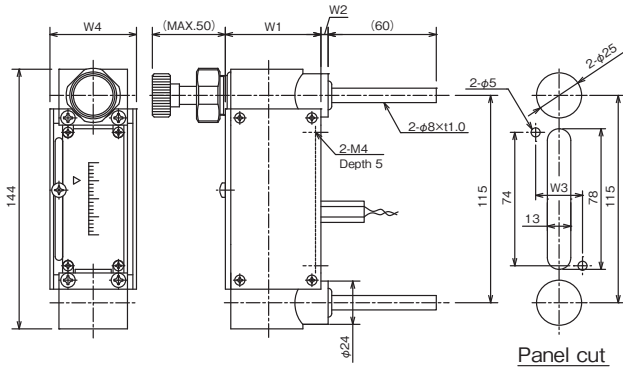


Flow range code	W1 (mm)	W2 (mm)	W3 (mm)
A	39	13	22
B,1	42	10	22
2,3	53	4	26

● Reed switch alarm type

P-773-UA□7

- Screw mounting on the panel front
- Valve at the outlet



Flow range code	W1 (mm)	W2 (mm)	W3 (mm)	W4 (mm)
B,1	42	10	22	42
2,3	53	4	26	48

Note: Use non-magnetic material for the panel when the alarm output code is one of A to D.

● Standard material

Parts name	Standard material
Body, Tapered tube	○ PFA integral mold
Float	○ PTFE
Float stopper	○ PFA
Valve body	○ PCTFE
Valve needle	○ PCTFE
Scale plate	Transparent PVC
Side plate	PVC
Cover	PVC

Parts marked "○" come in contact with the measuring fluid.

* Specification is subject to change without notice.

TOKYO KEISO CO., LTD.

Head Office : Shiba Toho Building, 1-7-24 Shibakoen, Minato-ku, Tokyo 105-8558

Tel : +81-3-3431-1625 (KEY) ; Fax : +81-3-3433-4922

e-mail : overseas.sales@tokyokeiso.co.jp ; URL : https://www.tokyokeiso.co.jp