

P-710 Purgometer

■ OUTLINE

The P-710 is a light, compact, fluoro-resin body purgometer ideal for measuring various corrosive solutions.

■ MAJOR APPLICATIONS

General purpose (small flow rate)

■ STANDARD SPECIFICATIONS

Measuring fluid	Gases Liquids	
Measuring range	Air	Min. 50 to 500 mL/min (nor) Max. 2 to 20 L/min (nor)
	Water	Min. 3 to 30 mL/min Max. 0.4 to 2 L/min
	<ul style="list-style-type: none"> When selecting a flow range, refer to "Index & Quick Reference for P Series Purgometers" (TG-S0001). When selecting a flow range, refer to the standard flow rate. 	
Range ability	10:1 (10:2 for some models)	
Indication accuracy	±5% F.S.	
Fluid pressure	Max. 0.5MPa	
Fluid temperature	Max. 70°C	
Material	Meter body	ETFE (Rc1/8) (Standard), PFA (Pillar fitting)
	Tapered tube	Heat-resistant glass (Standard), PCTFE
	Gasket	PTFE
	Support	Polycetal (Standard), PPS
	Cover	Polycarbonate
Process Connection	Rc : 1/8" (Standard) Pillar fitting : (OD) 6.35mm, 6mm, 8mm	
Mounting	Screw mount on the panel front (Standard) Panel embedded mounting	
Mass	approx. 0.1kg	

■ ALARM CONTACT AND OUTPUT

Type	Availability	
Reed switch type alarm unit	General	×
	UL-approved	×
PAU optical alarm unit	○	

For CE approval, refer to "Index & Quick Reference for P Series Purgometers" (TG-S0001).

■ STANDARD FLOW RATE TABLE

When the fluid pressure is other than 0 MPa, refer to "Index & Quick Reference for P Series Purgometers" (TG-S0001).

For tapered tube material code of G		For tapered tube material code of T
Air (0°C, 0 MPa)	Water	Water
	3 to 30 mL/min (Water)	
	5 to 50 mL/min	
50 to 500 mL/min (nor)	10 to 100 mL/min	
0.1 to 1 L/min (nor)	20 to 200 mL/min	
0.2 to 2 L/min (nor)	30 to 300 mL/min	
0.3 to 3 L/min (nor)	50 to 500 mL/min	50 to 500 mL/min
0.5 to 5 L/min (nor)	0.1 to 1 L/min	0.1 to 1 L/min
1 to 10 L/min (nor)	0.12 to 1.2 L/min *	0.12 to 1.2 L/min
2 to 20 L/min (nor)	0.4 to 2 L/min	0.4 to 2 L/min

Although other flow rate specifications are available, some flow ranges need to be changed. Contact us for details.

* Ranges of 0.12 to 1.2 L/min or higher are applicable only to models with a valve code of 0 or U.



■ BASIC MODEL CODE

Model Code		Descriptions	Notes
P-710	- □ □ - □ □ - □ □ □		
	- 0	Not provided	
Valve	- L	Inlet (gas for atmospheric pressure scale)	Refer to "Index & Quick Reference for P Series Purgometers" (TG-S0001).
	- U	Outlet (gas for pressure scale or for negative pressure on the secondary side)	
	- Z	Special	
Alarm output	0	Not provided	
	E	PAU alarm unit provided	
	Z	Special	
Tapered tube material	- G	Heat-resistant glass (Standard)	Cannot be specified with gas applications, a valve code of L, and an alarm output code of E or Z
	- T	PCTFE	
Gasket material	T	PTFE	Cushion: Chloroprene rubber (CR) or Fluoro rubber
Process connection	- R 1	Rc1/8" (Standard)	Pillar fitting (Super type)
	- T A	ø6.35 × t1	
	- T B	ø6 × t1	
	- T C	ø8 × t1	
	- P A	ø6.35 × t1.2	Pillar fitting (Super 300 type)
	- P B	ø6 × t1	
	- Z Z	Special	

■ OTHER AVAILABLE OPTIONS

You can specify the following options:

Double graduations, special graduations, various joint types, etc. For details, refer to "Index & Quick Reference for P Series Purgometers" (TG-S0001).

ORDERING INFORMATION

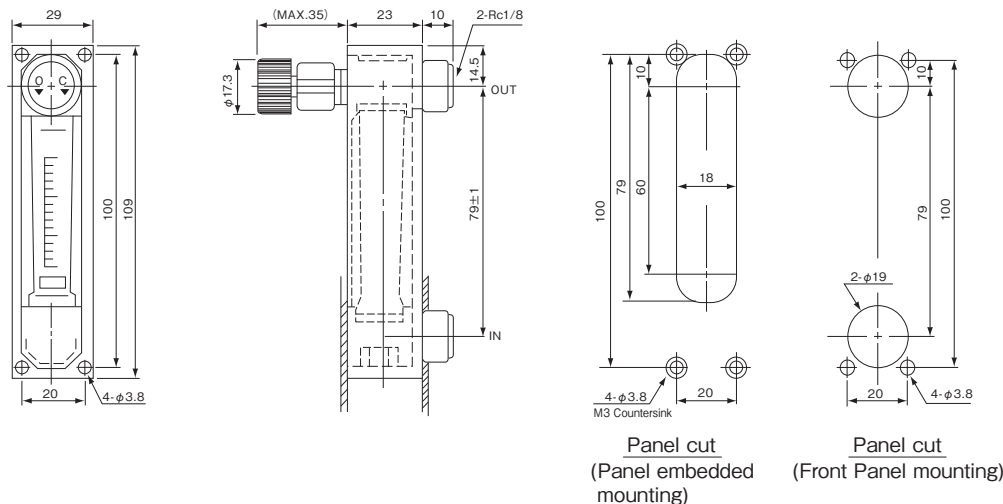
Basic model code	Items to be specified
P-710-□□-□□-□□	① Fluid name - ② Flow range - ③ Press. - ④ Temp. - ⑤ Mounting option - ⑥ Other options
(Select in the model code table.)	(Refer to "Index & Quick Reference for P Series Purgemeters" (TG-S0001).)

DIMENSIONS

Standard type

P-710-U0-GT-R1

- Screw mounting on the panel
- Valve at the outlet



Standard material

Parts name	Standard material	Available material
Support	Polyacetal	PPS resin
Body	○ ETFE (Rc1/8)	PFA (Pillar fitting)
Tapered tube	○ Heat-resistant glass	PCTFE
Gasket	○ PTFE	—
Float *	○ PTFE, Glass, Ruby	—
Valve body	○ PCTFE	—
Valve needle	○ PCTFE	—
Cover	Polycarbonate	—

Parts marked "○" come in contact with the measuring fluid.

* We will select a proper material for your application.

* Specification is subject to change without notice.

TOKYO KEISO CO., LTD.

Head Office : Shiba Toho Building, 1-7-24 Shibakoen, Minato-ku, Tokyo 105-8558

Tel : +81-3-3431-1625 (KEY) ; Fax : +81-3-3433-4922

e-mail : overseas.sales@tokyokeiso.co.jp ; URL : <http://www.tokyokeiso.co.jp>