

### OUTLINE

The **IFX30000** is an interface unit to configure a receiver system in combination with CATAMS Windows, developed as a next-generation model of the IFX20000.

### FEATURES

- Supports various tank gauge communication formats, allowing up to 32 tank gauge transmitters to be connected for two-way communication, or 16 transmitters for one-way communication.
- The **IFX30000** can connect up to 16 transmitters, enabling flexible system configuration depending on the number of tanks.
- More compact and lighter design with lower power consumption and high temperature resistance.
- Uses the same communication board as the NMR5000 tank data receiver.
- Easier to replace the board, making maintenance much easier.



### MODEL CODE

IFX3					
Transmitter format	W	0	Two-way communication board	FW/DM-II format	
	S	0	One-way communication board	DM format	
	S	1		DB-M format (36V)	
	S	2		DB-ML format	
	S	3		DB-M format (24V)	
	E	0	Communication board of other company (MDP/V1 format)	Ch1: Other company format	
E	1	Ch2: Other company format			
Rear face connector		1	1	COM1: RS-232C	COM2: RS-232C
		1	2	COM1: RS-232C	COM2: RS-485
		1	3	COM1: RS-232C	COM2: USB Type-C
		2	1	COM1: RS-485	COM2: RS-232C
		2	2	COM1: RS-485	COM2: RS-485
		2	3	COM1: RS-485	COM2: USB Type-C
		3	3	COM1: USB Type-C	COM2: USB Type-C

Note: Front LAN1/2 connectors are equipped as standard.

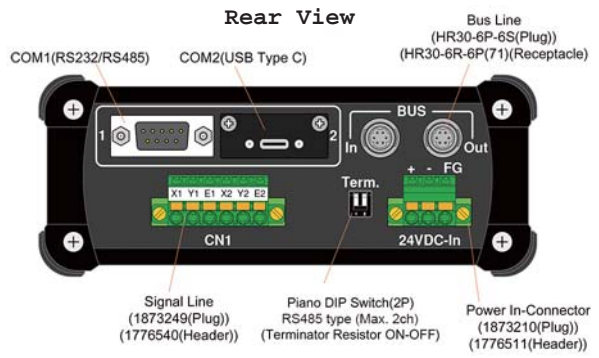
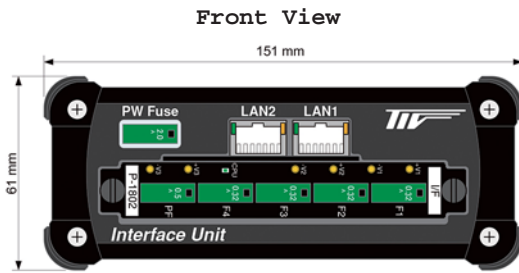
### STANDARD SPECIFICATIONS

Connection capacity	Two-way communication	Up to 32 transmitters *
	One-way communication	Up to 16 transmitters *
	Two-way communication (Other company format)	Up to 20 transmitters (standard) *
Connectable	DM4N series, FW9000NN series, etc.	
Host communication	LAN 2ch.	
	RS-232C, RS-485, USB type C Max. 2ch.	
Power supply / Power consumption	DC24V ±5% / Approx. 0.35A	
Ambient temperature	0 to 50°C	
Ambient humidity	20 to 80% (no condensation)	
External dimensions	151 (W) × 61 (H) × 200 (D) mm (Not including protrusions)	
Mass	Approx. 0.8kg	
Paint color	Black alumite	
Replacement parts	Figures in parentheses are the recommended replacement period.	
	Fuse (5 years)	Other parts (7 years)

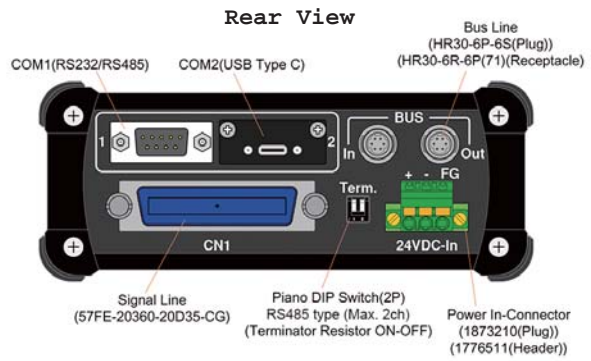
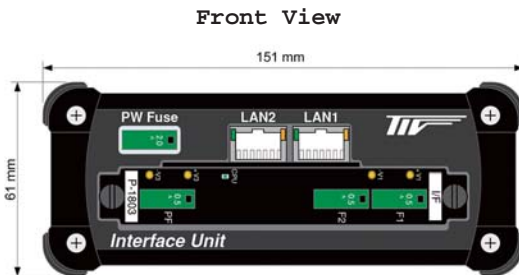
\* : Up to 16 interface units can be connected in daisy-chain.

**DIMENSIONS**

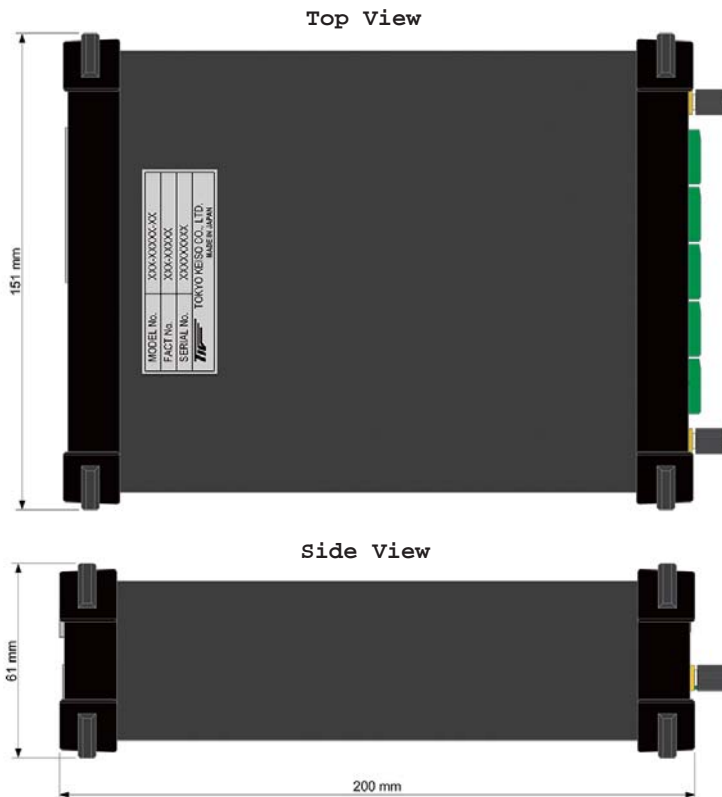
[Two-way communication]



[One-way communication]



[Housing]



\* Specification is subject to change without notice.

**TIV TOKYO KEISO CO., LTD.**

Head Office : Shiba Toho Building, 1-7-24 Shibakoen, Minato-ku, Tokyo 105-8558

Tel : +81-3-3431-1625 (KEY) ; Fax : +81-3-3433-4922

e-mail : overseas.sales@tokyokeiso.co.jp ; URL : <https://www.tokyokeiso.co.jp>