



TECHNICAL GUIDANCE

FCX-AIII Series

FKW...5

SMALL FLANGE REMOTE SEAL TYPE
PRESSURE TRANSMITTER

The FCX-AIII small flange remote seal type pressure transmitter accurately measures gauge pressure and transmits a proportional 4 to 20mA signal.

The transmitter utilizes a unique micromachined capacitance silicon sensor with state-of-the-art microprocessor technology to provide exceptional performance and functionality.

Totally welded construction of the seals assures excellent reliability in high temperature and highly corrosive process conditions.



FEATURES

1. Directly connectable to 1-¹/₂in and 2in flanges
The transmitter is connectable to 1-¹/₂in and 2in pipes without a reducer.
2. Connectable to ¹/₂in and ³/₄in pipes
Use of direct mounting adapter allows the transmitter to be connected to the following process.
¹/₂in and ³/₄in flanges
Screw connection ¹/₂-14NPT, ³/₄-14NPT, Rc¹/₂, Rc³/₄
3. Minimum environmental influence
The "Floating Cell" design which protects the pressure sensor against changes in temperature, and overpressure substantially reduces total measurement error in actual field applications.
4. Fuji/HART® bilingual communications protocol
FCX-AIII series transmitter offers bilingual communications to speak both Fuji proprietary protocol and HART®. Any HART® compatible devices can communicate with FCX-AIII.
5. Application flexibility
Various options that render the FCX-AIII suitable for almost any process applications include:
 - Full range of hazardous area approvals
 - Built-in RFI filter and lightning arrester
 - 5-digit LCD meter with engineering unit
 - Stainless steel electronics housing
 - Wide selection of materials
 - High temperature, vacuum seals
6. Burnout current flexibility (Under Scale: 3.2 to 4.0mA, Over Scale: 20.0 to 22.5mA)
Burnout signal level is adjustable using Model FXW Hand Held Communicator (HHC) to comply with NAMUR NE43.
7. Dry calibration without reference pressure
Thanks to the best combination of unique construction of mechanical parts (Sensor unit) and high performance electronics circuit (Electronics unit), reliability of dry calibration without reference pressure is at equal level as wet calibration.

SPECIFICATIONS

Functional specifications

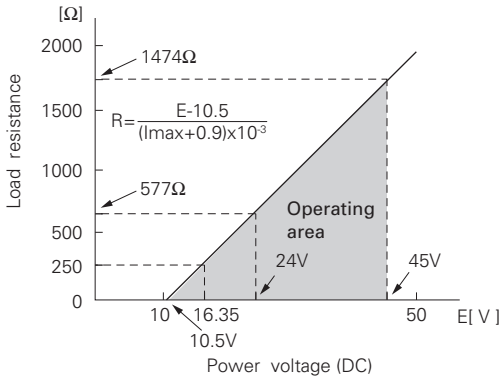
Service: Liquid, gas, or vapour

Span, range, and overrange limit:

Type	Span limit [kPa] {bar}		Range limit [kPa] {bar}	Overrange limit [MPa] {bar}
	Min.	Max.		
FKW□2	50 {0.5}	500 {5}	-100 to + 500 {-1 to + 5}	1.5 {15}
FKW□3	300 {3}	3000 {30}	-100 to + 3000 {-1 to +30}	4.5 {45}
FKW□4	1000 {10}	1000 {100}	-100 to + 10000 {-1 to + 100}	15 {150}

- Lower range limit (vacuum limit) ;
Silicone fill sensor: See Fig. 1
Fluorinated fill sensor: Atmospheric pressure
- Conversion factors to different units;
1MPa=10³kPa=10bar=10.19716kgf/cm²=145.0377psi
1kPa=10mbar=101.9716mmH₂O=4.01463inH₂O
- Output signal: 4 to 20mA DC with digital signal superimposed on the 4 to 20mA signal.
- Power supply: Transmitter operates on 10.5V to 45V DC at transmitter terminals.
10.5V to 32V DC for the units with optional arrester.

Load limitations: see figure below



Note: For communication with HHC (Model: FXW), min. of 250Ω is required.

Hazardous locations: See TABLE 2

Zero/span adjustment:

Zero and span are adjustable from the HHC⁽¹⁾. Zero and span are also adjustable externally from the adjustment screw.

Damping: Adjustable from HHC or local configurator unit with LCD display.

The time constant is adjustable between 0.06 to 32 seconds.

Zero elevation/suppression:

Zero can be elevated or suppressed within the specified range limit of each sensor model.

Normal/reverse action:

Selectable from HHC⁽¹⁾

Indication: Analog indicator or 5-digit LCD meter, as specified.

Burnout direction: Selectable from HHC⁽¹⁾

If self-diagnostic detect transmitter failure, the analog signal will be driven to either "Output Hold", "Output Overscale" or "Output Underscale" modes.

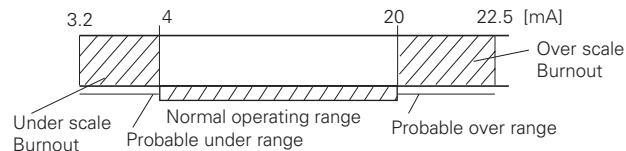
"Output Hold": Output signal is hold as the value just before failure happens.

"Output Overscale":

Adjustable within the range 20.0mA to 22.5mA from HHC⁽¹⁾

"Output Underscale":

Adjustable within the range 3.2mA to 4.0mA from HHC⁽¹⁾



Output Limits conforming the NAMUR NE43 by order.

Loop-check output:

Transmitter can be configured to provide constant signal 3.2mA through 22.5mA by HHC⁽¹⁾.

Temperature limit:

Ambient: -15 to +65°C

(-15 to +60°C for arrester option)

(-10 to +60°C for fluorinated oil fill transmitter)

(-10 to +60°C for silicone oil "H", "S")

(-15 to +45°C for capillary length more than 7m)

For explosionproof units (flameproof or intrinsic safety), ambient temperature must be within the limits specified by each standard.

Process:

Fill fluid	13th digit of "Code symbols"	Process temperature	Lower limit of static press
Fluorinated oil	W, A and D	-20 to 120°C	Atmospheric pressure
	H	0 to 250°C	
Silicone oil	Y and G	-40 to 180°C	2.7kPa abs (20mmHg abs)
	S	0 to 250°C	

Storage: -40 to +70°C

Humidity limit: 0 to 100% RH

Communication: With HHC⁽¹⁾ (Model FXW, consult Data Sheet No. EDS8-47), following items can be remotely displayed or configured.

Note: HHC's version must be higher than 7.0 (or FXW □□□□1-□4), for FCX-AIII.

Local configurator with LCD display (option):

Local configurator with 3 push button and LCD display can support following items.

Items	By communication with FXW		By local configurator (with 3 push button)	
	Display	Set	Display	Set
Tag No.	✓	✓	✓	✓
Model No.	✓	✓	✓	✓
Serial No. & Software Version	✓	—	✓	—
Engineering unit	✓	✓	✓	✓
Range limit	✓	—	✓	—
Measuring range	✓	✓	✓	✓
Damping	✓	✓	✓	✓
Output mode	✓	—	✓	—
Burnout direction	✓	✓	✓	✓
Calibration	✓	✓	✓	✓
Output adjust	—	✓	—	✓
Data	✓	—	✓	—
Self diagnoses	✓	—	✓	—
Printer (In case of FXW with printer option)	✓	—	—	—
External switch lock	✓	✓	✓	✓
Transmitter display	✓	✓	✓	✓
Linearize	✓	✓	—	—
Rerange	✓	✓	✓	✓
Saturate current	✓	✓	✓	✓
Write protect	✓	✓	✓	✓
History				
- Calibration history	✓	✓	✓	✓
- Ambient temperature history	✓	—	✓	—

EMC Conformity: EN61326-1: 2006 CE

(Note) (1) HHC: Hand Held Communicator

Performance specifications

Reference conditions, silicone oil fill, SS316 isolating diaphragms, 4 to 20mA analog output in linear mode and capillary length 3m.

Accuracy rating: (including linearity, hysteresis, and repeatability)

(Standard)

For spans greater than $\frac{1}{10}$ of URL: $\pm 0.25\%$ of span

For spans below $\frac{1}{10}$ of URL:

$$\pm \left(0.17 + 0.08 \frac{0.1 \times \text{URL}}{\text{Span}} \right) \% \text{ of span}$$

(Option) (Code; 21th digit H)

For spans greater than $\frac{1}{10}$ of URL: $\pm 0.1\%$ of span

For spans below $\frac{1}{10}$ of URL:

$$\pm \left(0.05 + 0.05 \frac{0.1 \times \text{URL}}{\text{Span}} \right) \% \text{ of span}$$

Stability: $\pm 0.2\%$ of upper range limit (URL) for 10 years.

Temperature effect:

Effects per 28°C change between the limits of -15°C and $+65^\circ\text{C}$

Zero shift: $\pm 0.5\%/28^\circ\text{C}$

(x equal to $\frac{1}{6.5}$ URL or more)

Zero shift; $\pm \left(0.5 \frac{\text{URL}}{6.5 \times x} \right) \%/28^\circ\text{C}$

(x less than $\frac{1}{6.5}$ URL)

Total shift; $\pm 0.75\%/28^\circ\text{C}$

(x less than $\frac{1}{6.5}$ URL or more)

Total shift; $\pm \left(0.25 + 0.5 \frac{\text{URL}}{6.5 \times x} \right) \%/28^\circ\text{C}$

(x less than $\frac{1}{6.5}$ URL)

Where, x: Calibrated span
URL: Maximum span (Upper Range Limit)

Note: Above specifications are based on the conditions that flange and sensor unit are at the same temperature and in the same level. If temperature is different at flange, capillary or sensor unit, output variation may increase.

Overrange effect: Zero shift; 0.2% of URL/ $(1.5 \times \text{URL})$

Supply voltage effect:

Less than 0.005% of calibrated span per 1V

Update rate: 60 msec

Step response: Time constant: 0.3s (at 23°C)

Dead time: 0.12s

(without electrical damping)

Dielectric strength:

500V AC, 50/60Hz 1 min., between circuit and earth.

Insulation resistance:

More than $100\text{M}\Omega/500\text{V DC}$.

Internal resistance for external field indicator:

12Ω or less

Physical specifications

Electrical connections:

$G\frac{1}{2}$, $\frac{1}{2}$ -14 NPT, Pg13.5, or $M20 \times 1.5$ conduit, as specified.

Process connections:

JIS;

10K, 20K, 30K, 63K -40 , 50A

10K, 20K, 30K, 63K -15 , 20A (with Adapter) ANSI/JPI;

150LB, 300LB, 600LB, $-1\frac{1}{2}$ ", 2"

150LB, 300LB, 600LB, $-1\frac{1}{2}$ ", $\frac{3}{4}$ "(with Adapter)

Screw connection (with Adapter) ;

$Rc\frac{1}{2}$, $Rc\frac{3}{4}$, $\frac{1}{2}$ -14NPT, $\frac{3}{4}$ -14NPT

Diaphragm extension:

0, 50, 100, 150, or 200mm as specified.

(See model code. Extended diaphragm is available only with 316L stainless steel diaphragm)

Process-wetted parts material:

Diaphragm: 316L stainless steel, MA276 Monel or Tantalum

Flange face: 316 stainless steel, MA276 lining, Monel lining or Tantalum lining

Extension: 316 stainless steel

(Refer to "Code symbols")

Non-wetted parts material:

Electronics housing: Low copper die-cast aluminum alloy finished with polyester coating (standard), or 316 stainless steel (ASTM CF8M), as specified.

Capillary: In case of 11th code "D. E. L", PVC armored stainless steel.

In case of 11th code "Q. R. S", stainless steel armored stainless steel.

Mounting flange: 304 stainless steel or carbon steel, as specified.

Fill fluid: Silicone oil (standard) or fluorinated oil

Mounting bracket: 304 stainless steel.

Environmental protection:

IEC IP67 and NEMA 6/6P

Mounting:

On 60.5mm (JIS 50A) pipe using mounting bracket, direct wall mounting

Mass {weight}:

Transmitter approximately 8.2 to 11.2kg without options.

Add; 0.5kg for mounting bracket

4.5kg for stainless steel housing option

1.5kg per 50mm extension of diaphragm

Optional features

- Indicator: A plug-in analog indicator (2.5% accuracy)
An optional 5-digit LCD meter with engineering unit is also available.
- Local configurator with LCD display: An optional 5 digits LCD meter with 3 push buttons can support items as using communication with FXW.
- Arrester: A built-in arrester protects the electronics from lightning surges.
Lightning surge immunity: 4kV (1.2 × 50μs).
- Oxygen service: Special cleaning procedures are followed throughout the process to maintain all process wetted parts oil-free.
The fill fluid is fluorinated oil.
- Chlorine service: Oil-free procedures as above. Includes fluorinated oil for fill.
- Degreasing: Process-wetted parts are cleaned, but the fill fluid is standard silicone oil. Not for use on oxygen or chlorine measurement.
- Vacuum and high temperature service: Special silicone oil and filling procedure are applied.
See Fig.1.
- Optional tag plate: An extra stainless steel tag for customer tag data is wired to the transmitter.
- Coating of cell: Cell's surface is finished with epoxy/polyurethane double coating. Specify if environment is extremely corrosive.

ACCESSORIES

- Hand held communicator:
Handy type communicator with built in battery.

ORDERING INFORMATION

- When ordering this instrument, specify:
1. CODE SYMBOLS
 2. Measuring range.
 3. Output orientation (burnout direction) when abnormality is occurred in the transmitter.
Hold / Overscale / Underscale
Unless otherwise specified, output hold function is supplied.
 4. Indication method (indicated value and unit) in case of the actual scale (code D, H, P, S on 9th digit).
 5. Tag No. (up to 14 alphanumerical characters), if required.

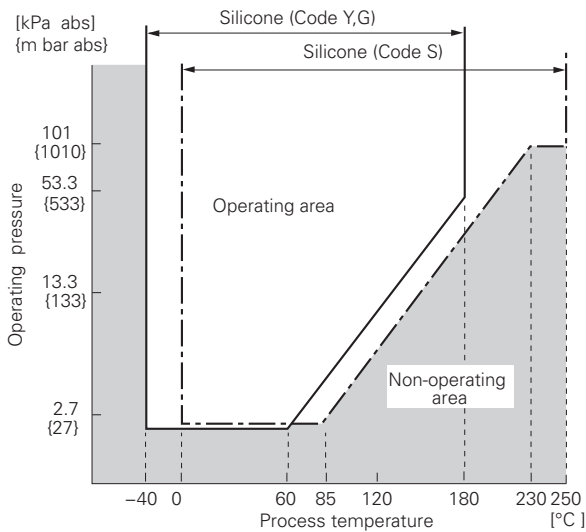


Fig. 1 Relation between process temperature and operating pressure

CODE SYMBOLS

Digit	Description	Note	1	2	3	4	5	6	7	8	9	10	11	12	13	14	15	16	17	18	19	20	21	← Digit No. of code		
4	<Conduit connection> Conduit connection Case type G1/2 T type 1/2-14NPT T type Pg13.5 T type M20x1.5 T type ----- G1/2 L type 1/2-14NPT L type Pg13.5 L type M20x1.5 L type		F	K	W					5																
5	<Flange> Material Size and rating 304 stainless steel JIS 10K 40A JIS 10K 50A JIS 20K 40A JIS 20K 50A ----- JIS 30K 40A JIS 30K 50A JIS 63K 40A JIS 63K 50A ----- ANSI/JPI 150LB 1 1/2" ANSI/JPI 150LB 2" ANSI/JPI 300LB 1 1/2" ANSI/JPI 300LB 2" ANSI/JPI 600LB 1 1/2" ANSI/JPI 600LB 2" ----- Carbon steel JIS 10K 40A JIS 10K 50A JIS 20K 40A JIS 20K 50A ----- JIS 30K 40A JIS 30K 50A JIS 63K 40A JIS 63K 50A ----- ANSI/JPI 150LB 1 1/2" ANSI/JPI 150LB 2" ANSI/JPI 300LB 1 1/2" ANSI/JPI 300LB 2" ANSI/JPI 600LB 1 1/2" ANSI/JPI 600LB 2" ----- None 40A, 1 1/2B (Wafer type) 50A, 2B ----- Direct mounting adapter connection (* 1)																									
6	 50.....500 (0.5...5) 300.....3000 (3...30) 1000...10000 (10...100)																									
7	<Material/diaphragm extension> Diaphragm Flange face Diaphragm extension (mm) 316L stainless steel 316 stainless steel 0 316L stainless steel 316 stainless steel 50 316L stainless steel 316 stainless steel 100 316L stainless steel 316 stainless steel 150 316L stainless steel 316 stainless steel 200 316L stainless steel 316 stainless steel 0 +Au coating MA276 MA276 0 MA276 316 stainless steel 0 Monel Monel 0 Tantalum Tantalum 0	Note 2																								

Note1: (*1) Direct mounting adapter type is specified at 16th to 20th digit.
Direct mounting adapter is available only for 7th digit code "V".
Note2: (*2) Diaphragm extension is available only for 2" (50A) flanges.

Specifications of connecting pipeless adapter {for 15, 20A (1/2, 3/4") connection} and others

- Note 1. When ordering the instrument with connecting pipeless adapter, specify "Y" in the 5th digit of Code Symbol, and specify 16th digit to 20th digit.
 When ordering the instrument without connecting pipeless adapter, nothing should be filled in the 16th to 20th digit.
 2. Unless otherwise described in the specifications, leave the 21st digit blank.

Digit	Description	Note	1	2	3	4	5	6	7	8	9	10	11	12	13	14	15	16	17	18	19	20	21	← Digit No. of code	
16, 17	<Process connection (connecting pipeless adapter)> JIS 10K 15A JIS 10K 20A JIS 20K 15A JIS 20K 20A JIS 30K 15A JIS 30K 20A JIS 63K 15A JIS 63K 20A ANSI/JPI 150LB 1/2" ANSI/JPI 150LB 3/4" ANSI/JPI 300LB 1/2" ANSI/JPI 300LB 3/4" ANSI/JPI 600LB 1/2" ANSI/JPI 600LB 3/4" Screw connection Rc1/2 Screw connection Rc3/4 Screw connection Rc1/2 - 14NPT Screw connection Rc3/4 - 14NPT		F	K	W		5																		
18	<Material (connecting pipeless adapter)> Adapter Bolts/nuts (* 12) 316 Stainless Steel Cr-Mo steel/carbon steel	Note 12																							
19	<Vent/drain (for connecting pipeless adapter)> Standard Long type																								
20	<Gasket (for connecting pipeless adapter)> Standard (Teflon)(Only Y, W, G, A and D can be specified on 13th digit). For high temperature (spiral gasket) (Only H and S can be specified on 13th digit).																								
21	<Fixed code> (* 13)	Note 13																							

Note12: (* 12) For connection of transmitter receiving pressure unit and connecting pipeless adapter

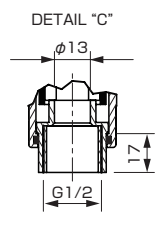
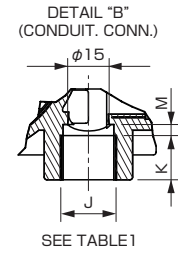
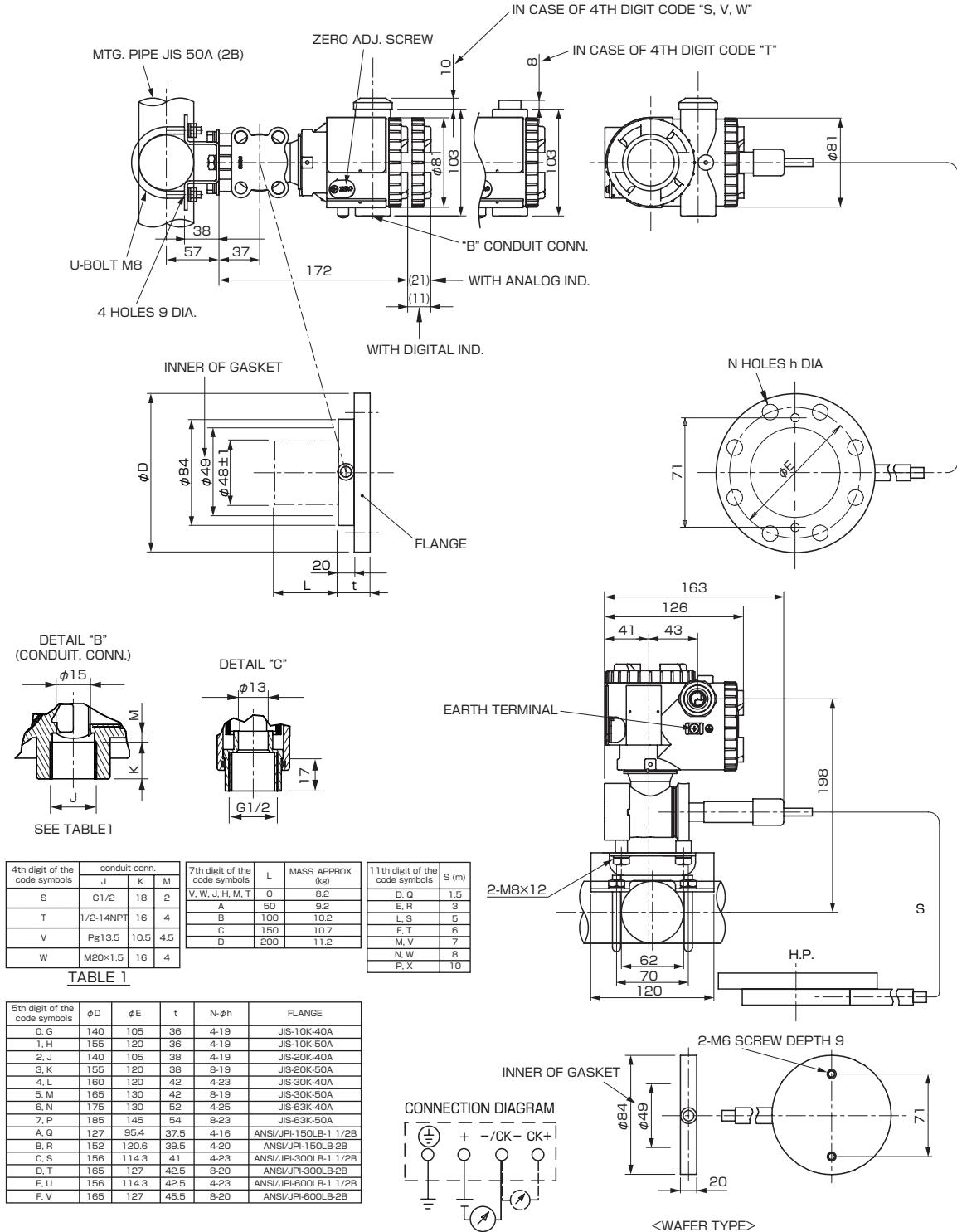
Note13: (* 13) In case of hazardous location type, tag plate is made by Fuji Electric Systems Co., LTD.

OUTLINE DIAGRAM (Unit:mm)

<CODE SYMBOLS : FKW

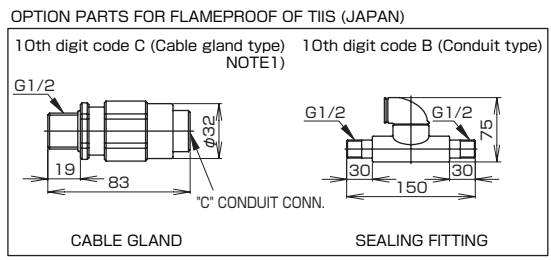
S	V
T	W

 □□□ 5 - □□□□□ - □□ - □ >



4th digit of the code symbols	conduit conn.			7th digit of the code symbols	L	MASS. APPROX. (kg)	11th digit of the code symbols	S (m)
	J	K	M					
S	G1/2	18	2	V, W, J, H, M, T	0	9.2	D, Q	1.5
T	1/2-14NPT	16	4	A	50	9.2	E, R	3
V	Pg13.5	10.5	4.5	B	100	10.2	L, S	5
W	M20×1.5	16	4	C	150	10.7	F, T	6
				D	200	11.2	M, V	7
							N, W	8
							P, X	10

5th digit of the code symbols	φD	φE	t	N-φh	FLANGE
0, G	140	105	36	4-19	JIS-10K-40A
1, H	155	120	36	4-19	JIS-10K-50A
2, J	140	105	38	4-19	JIS-20K-40A
3, K	155	120	38	8-19	JIS-20K-50A
4, L	160	120	42	4-23	JIS-30K-40A
5, M	165	130	42	8-19	JIS-30K-50A
6, N	175	130	52	4-25	JIS-63K-40A
7, P	185	145	54	8-23	JIS-63K-50A
A, Q	127	95.4	37.5	4-16	ANSI/JPI-150LB-1 1/2B
B, R	152	120.6	39.5	4-20	ANSI/JPI-150LB-2B
C, S	156	114.3	41	4-23	ANSI/JPI-300LB-1 1/2B
D, T	165	127	42.5	8-20	ANSI/JPI-300LB-2B
E, U	156	114.3	42.5	4-23	ANSI/JPI-600LB-1 1/2B
F, V	165	127	45.5	8-20	ANSI/JPI-600LB-2B



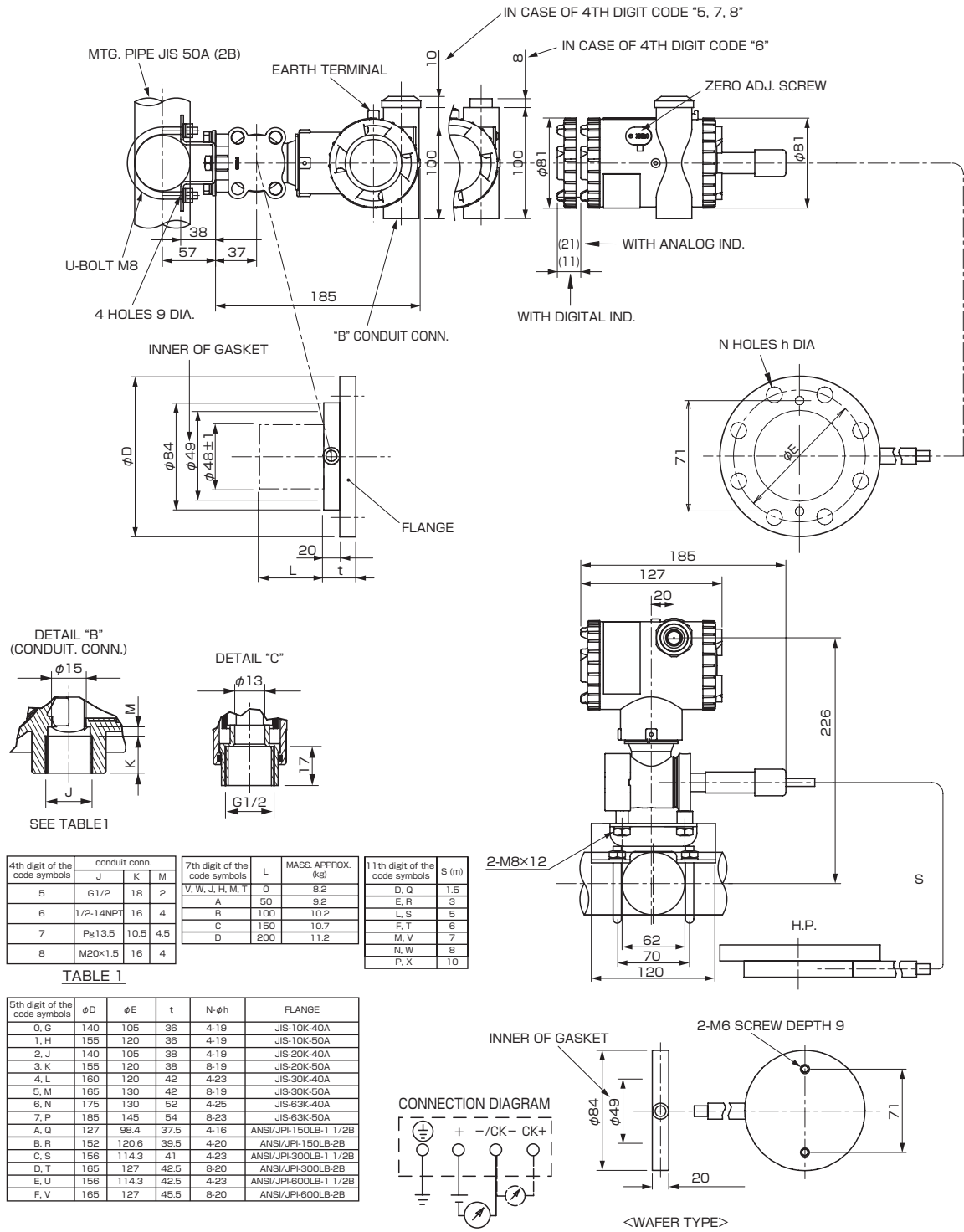
NOTE1) IN CASE OF 10TH CODE "C", φ11 CABLE IS SUITBLE.

OUTLINE DIAGRAM (Unit:mm)

<CODE SYMBOLS : FKW

5	7
6	8

 □□□ 5 - □□□□□ - □□ - □ >

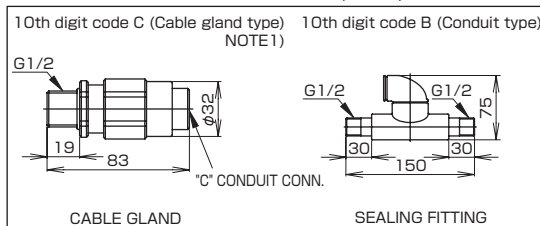


4th digit of the code symbols	conduit conn.			7th digit of the code symbols	L	MASS. APPROX. (kg)	11th digit of the code symbols	S (m)
	J	K	M					
5	G1/2	18	2	V, W, J, H, M, T	0	8.2	D, Q	1.5
6	1/2-14NPT	16	4	A	50	9.2	E, R	3
7	Pg13.5	10.5	4.5	B	100	10.2	L, S	5
8	M20x1.5	16	4	C	150	10.7	F, T	6
				D	200	11.2	M, V	7
							N, W	8
							P, X	10

TABLE 1

5th digit of the code symbols	∅D	∅E	t	N-∅h	FLANGE
0, S	140	105	36	4-19	JIS-10K-40A
1, H	155	120	36	4-19	JIS-10K-50A
2, J	140	105	38	4-19	JIS-20K-40A
3, K	155	120	38	4-19	JIS-20K-50A
4, L	160	120	42	4-23	JIS-30K-40A
5, M	165	130	42	4-19	JIS-30K-50A
6, N	175	130	52	4-25	JIS-63K-40A
7, P	185	145	54	4-23	JIS-63K-50A
A, Q	127	98.4	37.5	4-16	ANSI/JPI-150LB-1 1/2B
B, R	152	120.6	39.5	4-20	ANSI/JPI-150LB-2B
C, S	156	114.3	41	4-23	ANSI/JPI-300LB-1 1/2B
D, T	165	127	42.5	4-20	ANSI/JPI-300LB-2B
E, U	156	114.3	42.5	4-23	ANSI/JPI-600LB-1 1/2B
F, V	165	127	45.5	4-20	ANSI/JPI-600LB-2B

OPTION PARTS FOR FLAMEPROOF OF TIIS (JAPAN)



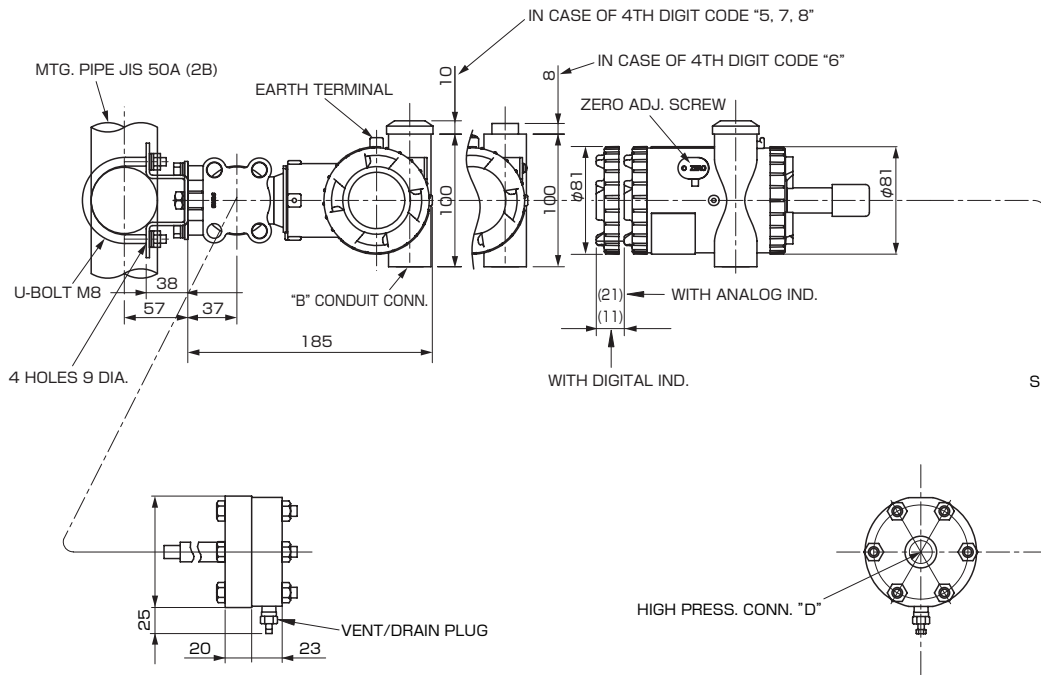
NOTE 1) IN CASE OF 10TH CODE "C", ∅11 CABLE IS SUITBLE.

OUTLINE DIAGRAM (Unit:mm)

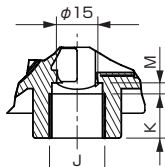
<CODE SYMBOLS : FKW

5	7
6	8

 □□□□ 5 - □□□□□□ - □□S□□□□ - □>

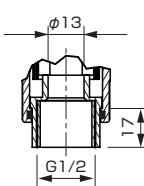


DETAIL "B" (CONDUIT. CONN.)



SEE TABLE 1

DETAIL "C"

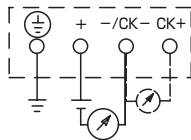


4th digit of the code symbols	conduit conn.			11th digit of the code symbols	S (m)
	J	K	M		
5	G1/2	18	2	D, Q	1.5
6	1/2-14NPT	16	4	E, R	3
7	Pg13.5	10.5	4.5	L, S	5
8	M20x1.5	16	4	F, T	6
				M, V	7
				N, W	8
				P, X	10

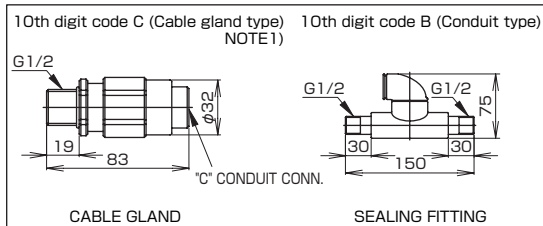
TABLE 1

16th digit of the code symbols	17th digit of the code symbols	Press. conn. "D"
S	R	Rc 1/2
S	N	1/2-14NPT
S	2	Rc 3/4
S	T	3/4-14NPT

CONNECTION DIAGRAM



OPTION PARTS FOR FLAMEPROOF OF THIS (JAPAN)



NOTE 1) IN CASE OF 10TH CODE "C", φ11 CABLE IS SUITBLE.

OUTLINE DIAGRAM (Unit:mm)

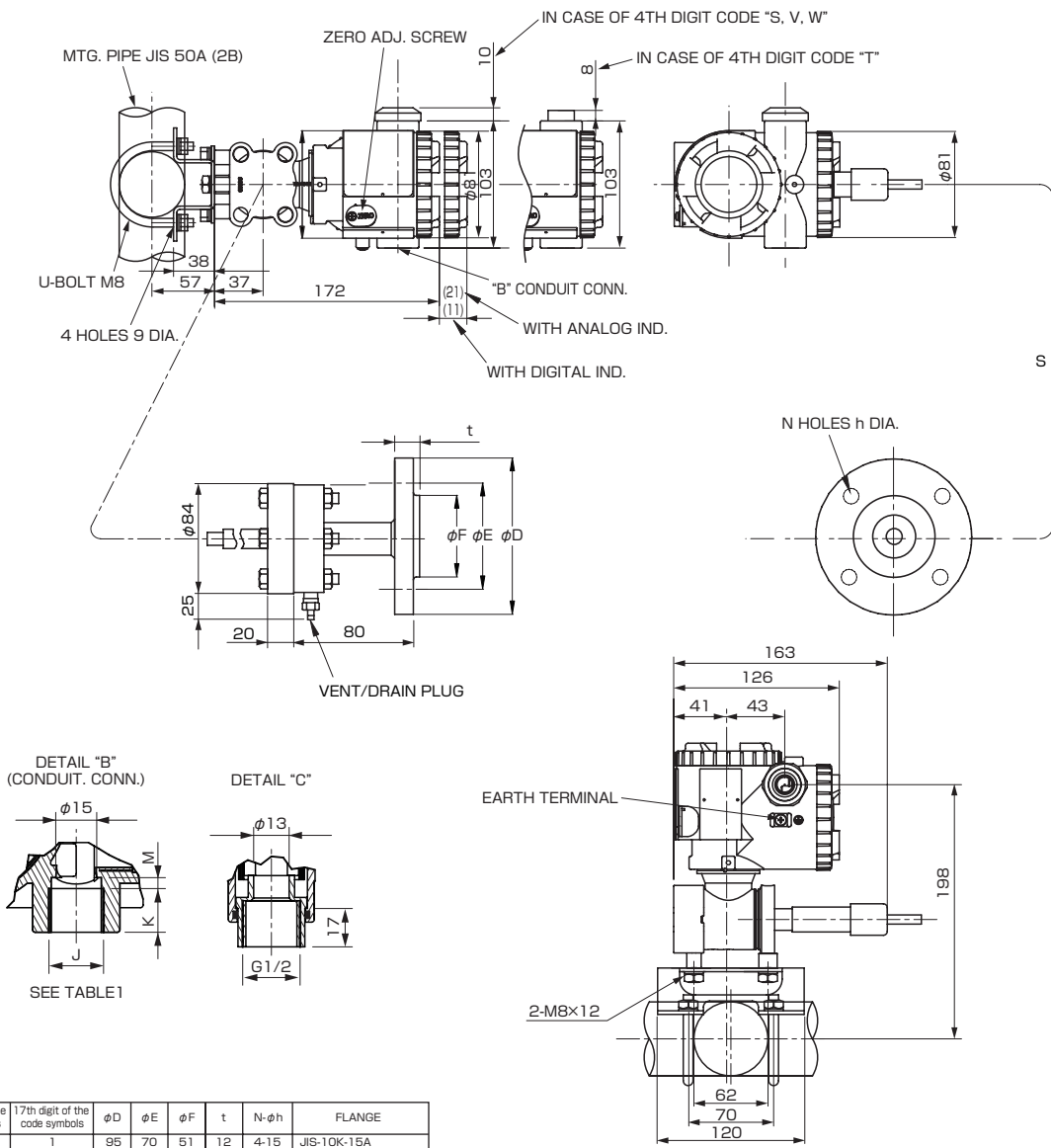
<CODE SYMBOLS : FKW

S	V
T	W

 □□□ 5 - □□□□□□ - □□

1
2
3

 □□□□ - □>

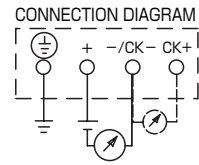


16th digit of the code symbols	17th digit of the code symbols	φD	φE	φF	t	N-φh	FLANGE
1	1	95	70	51	12	4-15	JIS-10K-15A
1	2	100	75	56	14	4-15	JIS-10K-20A
2	1	95	70	51	14	4-15	JIS-20K-15A
2	2	100	75	56	16	4-15	JIS-20K-20A
3	1	115	80	55	18	4-19	JIS-30K-15A
3	2	120	85	60	18	4-19	JIS-30K-20A
6	1	120	85	55	23	4-19	JIS-63K-15A
6	2	135	95	60	25	4-23	JIS-63K-20A
1	H	89	60.3	34.9	11.5	4-16	ANSI/JPI-150LB 1/2B
1	T	98	69.9	42.9	13	4-16	ANSI/JPI-150LB 3/4B
2	H	95	66.7	34.9	14.5	4-16	ANSI/JPI-300LB 1/2B
2	T	117	82.5	42.9	16	4-20	ANSI/JPI-300LB 3/4B
4	H	95	66.7	34.9	14.5	4-16	ANSI/JPI-600LB 1/2B
4	T	117	82.5	42.9	16	4-20	ANSI/JPI-600LB 3/4B

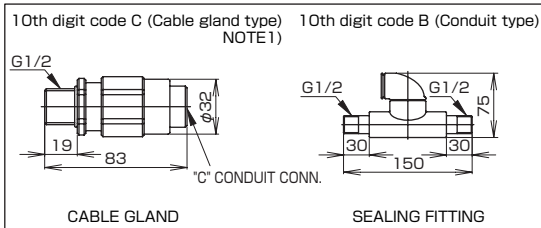
4th digit of the code symbols	conduit conn.		
	J	K	M
S	G1/2	18	2
T	1/2-14NPT	16	4
V	Pg13.5	10.5	4.5
W	M20x1.5	16	4

11th digit of the code symbols	S (m)
D, Q	1.5
E, R	3
L, S	5
F, T	6
M, V	7
N, W	8
P, X	10

TABLE 1



OPTION PARTS FOR FLAMEPROOF OF TIIS (JAPAN)



NOTE1) IN CASE OF 10TH CODE "C", φ11 CABLE IS SUITBLE.

TABLE 2

Authorities	Intrinsic safety																					
ATEX	Ex II 1 G Ex ia IIC T5 Tamb = -40°C to +50°C Ex ia IIC T4 Tamb = -40°C to +70°C Entity Parameters: Ui=28V, li=94.3mA, Pi=0.66W, Ci=26nF (Without Arrester), Li=0.6mH (Without analog indicator), Ci=36nF (With Arrester), Li=0.7mH (With analog indicator)																					
Factory Mutual	Class I II III Div.1 Groups A, B, C, D, E, F, G T4 Entity Type 4X <table border="1"> <thead> <tr> <th colspan="2">Model code</th> <th>Tamb</th> </tr> <tr> <th>9th digit</th> <th>13th digit</th> <th></th> </tr> </thead> <tbody> <tr> <td>A,B,D</td> <td>Y,G,H,S</td> <td>-40°C to +85°C</td> </tr> <tr> <td>L,P,1,2</td> <td>Y,G,H,S</td> <td>-20°C to +80°C</td> </tr> <tr> <td>Q,S,4,5</td> <td>Y,G,H,S</td> <td>-20°C to +60°C</td> </tr> <tr> <td>E,F,H</td> <td>Y,G,H,S</td> <td>-40°C to +60°C</td> </tr> <tr> <td>-</td> <td>W,A,D</td> <td>-10°C to +60°C</td> </tr> </tbody> </table> Entity Parameters: Vmax=78V, Imax=94.3mA, Pi=0.66W, Ci=35.98nF, Li=0.694mH	Model code		Tamb	9th digit	13th digit		A,B,D	Y,G,H,S	-40°C to +85°C	L,P,1,2	Y,G,H,S	-20°C to +80°C	Q,S,4,5	Y,G,H,S	-20°C to +60°C	E,F,H	Y,G,H,S	-40°C to +60°C	-	W,A,D	-10°C to +60°C
Model code		Tamb																				
9th digit	13th digit																					
A,B,D	Y,G,H,S	-40°C to +85°C																				
L,P,1,2	Y,G,H,S	-20°C to +80°C																				
Q,S,4,5	Y,G,H,S	-20°C to +60°C																				
E,F,H	Y,G,H,S	-40°C to +60°C																				
-	W,A,D	-10°C to +60°C																				
CSA	Class I Div.1 Groups A, B, C, D Class II Div.1 Groups E, F, G Class III Div.1 Temp Code T5 Tamb max = +50°C Temp Code T4 Tamb max = +70°C Entity Parameters: Vmax=28V, Imax=94.3mA, Ci=25nF (Without Arrester), Ci=36nF (With Arrester), Li=0.6mH (Without analog meter), Li=0.7mH (With analog meter)																					
TIIS	Ex ia IIC T4 Tamb max = +60°C Entity Parameters: Ui=28V, li=94.3mA, Pi=0.66W, Ci=38.4nF, Li=0.694mH																					
IECEX Scheme	Ex ia IIC T4 Tamb = -40°C to +70°C Ex ia IIC T5 Tamb = -40°C to +50°C Entity Parameters: Ui=28V, li=94.3mA, Pi=0.66W, Ci=26nF (Without Arrester), Li=0.6mH (Without analog indicator), Ci=36nF (With Arrester), Li=0.7mH (With analog indicator)																					
NEPSI	Ex ia IIC T4 Ex d IIB+H2 T6 / Ex ia IIC T4 <table border="1"> <thead> <tr> <th colspan="2">Model code</th> <th>Tamb</th> </tr> <tr> <th>9th digit</th> <th>13th digit</th> <th></th> </tr> </thead> <tbody> <tr> <td>A,B,D</td> <td>Y,G,H,S</td> <td>-40°C to +85°C</td> </tr> <tr> <td>L,P,1,2</td> <td>Y,G,H,S</td> <td>-20°C to +80°C</td> </tr> <tr> <td>Q,S,4,5</td> <td>Y,G,H,S</td> <td>-20°C to +60°C</td> </tr> <tr> <td>E,F,H</td> <td>Y,G,H,S</td> <td>-40°C to +60°C</td> </tr> <tr> <td>-</td> <td>A,W,D</td> <td>-10°C to +60°C</td> </tr> </tbody> </table> Entity Parameters: Ui=42.4V, li=113mA, Pi=1W, Ci=35.98nF, Li=0.694mH	Model code		Tamb	9th digit	13th digit		A,B,D	Y,G,H,S	-40°C to +85°C	L,P,1,2	Y,G,H,S	-20°C to +80°C	Q,S,4,5	Y,G,H,S	-20°C to +60°C	E,F,H	Y,G,H,S	-40°C to +60°C	-	A,W,D	-10°C to +60°C
Model code		Tamb																				
9th digit	13th digit																					
A,B,D	Y,G,H,S	-40°C to +85°C																				
L,P,1,2	Y,G,H,S	-20°C to +80°C																				
Q,S,4,5	Y,G,H,S	-20°C to +60°C																				
E,F,H	Y,G,H,S	-40°C to +60°C																				
-	A,W,D	-10°C to +60°C																				

Authorities	Flameproof																					
ATEX	Ex II 2 GD Ex d IIC T6 IP66/67 T85°C Tamb = -40°C to +65°C Ex d IIC T5 IP66/67 T100°C Tamb = -40°C to +85°C																					
Factory Mutual	Class I Div.1 Groups B, C, D T6 Type 4X Class II III Div.1 Groups E, F, G T6 Type 4X Tamb max = +60°C																					
CSA	Class I Div.1 Groups C, D Class II Div.1 Groups E, F, G Class III Div.1 Note) "Seal Not Required" enclosure is allowed.																					
TIIS	Ex do IIB+H2 T4 Tamb max = +55°C Maximum process temp. = +120°C																					
IECEX Scheme	Ex d IIC T5 IP66/67 Tamb = -40°C to +85°C Ex d IIC T6 IP66/67 Tamb = -40°C to +65°C																					
NEPSI	Ex d IIB+H2 T6 Tamb = -40°C to +60°C																					
Authorities	Type n Nonincendive																					
ATEX	Ex II 3 GD EEx nL IIC T5 Tamb = -40°C to +50°C EEx nL IIC T4 Tamb = -40°C to +70°C Specific Parameters: Model without arrester: Ui=42.4V, li=113mA, Pi=1W, Ci=25.18nF, Li=0.694mH Model with arrester: Ui=32V, li=113mA, Pi=1W, Ci=35.98nF, Li=0.694mH EEx nAL IIC T5 Tamb = -40°C to +50°C EEx nAL IIC T4 Tamb = -40°C to +70°C Specific Parameters: Model without arrester: Umax=42.4V, Imax=113mA, Pmax=1W, Model with arrester: Umax=32V, Imax=113mA, Pmax=1W																					
Factory Mutual (pending)	Class I II III Div.2 Groups A, B, C, D, F, G T4 Entity Type 4X <table border="1"> <thead> <tr> <th colspan="2">Model code</th> <th>Tamb</th> </tr> <tr> <th>9th digit</th> <th>13th digit</th> <th></th> </tr> </thead> <tbody> <tr> <td>A,B,D</td> <td>Y,G,H,S</td> <td>-40°C to +85°C</td> </tr> <tr> <td>L,P,1,2</td> <td>Y,G,H,S</td> <td>-20°C to +80°C</td> </tr> <tr> <td>Q,S,4,5</td> <td>Y,G,H,S</td> <td>-20°C to +60°C</td> </tr> <tr> <td>E,F,H</td> <td>Y,G,H,S</td> <td>-40°C to +60°C</td> </tr> <tr> <td>-</td> <td>W,A,D</td> <td>-10°C to +60°C</td> </tr> </tbody> </table>	Model code		Tamb	9th digit	13th digit		A,B,D	Y,G,H,S	-40°C to +85°C	L,P,1,2	Y,G,H,S	-20°C to +80°C	Q,S,4,5	Y,G,H,S	-20°C to +60°C	E,F,H	Y,G,H,S	-40°C to +60°C	-	W,A,D	-10°C to +60°C
Model code		Tamb																				
9th digit	13th digit																					
A,B,D	Y,G,H,S	-40°C to +85°C																				
L,P,1,2	Y,G,H,S	-20°C to +80°C																				
Q,S,4,5	Y,G,H,S	-20°C to +60°C																				
E,F,H	Y,G,H,S	-40°C to +60°C																				
-	W,A,D	-10°C to +60°C																				
CSA	Class I Div.2 Groups A, B, C, D Class II Div.2 Groups E, F, G Class III Div.2 Temp Code T5 Tamb max = +50°C Temp Code T4 Tamb max = +70°C Entity Parameters: Vmax=28V, Ci=25.18nF (Without Arrester), Ci=35.98nF (With Arrester), Li=0.694mH																					

* Specification is subject to change without notice.



Head Office : Shiba Toho Building, 1-7-24 Shibakoen, Minato-ku, Tokyo 105-8558
Tel : 03-3431-1625 (KEY) ; Fax : 03-3433-4922
e-mail : overseas.sales@tokyokeiso.co.jp ; URL : http://www.tokyokeiso.co.jp

