

GENERAL

MAGMAX[®] EGM2300C is high performance and compact electromagnetic flowmeter suitable for water and sewage.

EGM2300C is a combination of EGS2000 primary head with Polypropylene and Hard rubber liner, and high performance converter EGC300.

An excitation system extendable up to twice the commercial frequency has been introduced to reduce fluid noise.

And improved self-diagnostic functions include vacancy detection and detection unit monitoring.

2.5 to 1000mm sizes are available.

FEATURES

- ❑ Polypropylene liner (Size 25 to 150mm) achieved high-durability and high-heat resistance. Suitable for water, sewage and hot water for process temperature up to 90°C.
- ❑ Hastelloy C electrodes as standard.
- ❑ High accuracy of $\pm 0.5\%$ of reading.
- ❑ High speed data processing for quick response. Suitable for batch process control and for pulsating flow.
- ❑ The excitation system extendable up to twice the commercial frequency allows applications to much fluid noise such as slurry.
- ❑ Blue dot matrix LCD (with backlight) used for the display. Capable of providing 1 to 3-digit display.
- ❑ Equipped with a quick setup function to readily respond to changed flow range, pulse rate, etc.
A touch panel system by an infrared sensor allows you to alter the settings without removing the cover of the conversion section.
- ❑ 10kHz high-speed pulse output. Capable of responding to short batch processes.
- ❑ Current and pulse output, bi-directional measurement, double range, status output, control input...Full function provided in compact design.



STANDARD SPECIFICATION

General Specification

- Excitation : Square wave
- Nominal size : 25, 40, 50, 65, 80, 100, 125, 150, 200, 250, 300, 350, 400, 450, 500, 600, 700, 800, 900, and 1000mm
(For size over 1000mm, consult TOKYO KEISO.)
- Measuring range : Flow velocity
Min. 0 to 0.3m/s
Max. 0 to 12m/s
Flow rate
Min. 0 to 0.531m³/h
(Minimum flow at 25mm size)
Max. 0 to 33928m³/h
(Maximum flow at 1000mm size)
- Protection class : IP66/67 (IEC 60529)
- Body material
 - Measuring tube : Stainless steel (SS304)
 - Primary head housing : Carbon steel^(*) [Standard]^(**)
[Option] Stainless steel/SS304
 - Flanges : Carbon steel^(*) [Standard]
[Option] Stainless steel/SS316L
 - Terminal box : Aluminum alloy^(*)

(*) Anti-corrosive painting

(**) When the size is 25 to 40mm and the wetted part lining is hard rubber: Cast duplex stainless steel.

- Wetted part material
 - Liner : [Standard]
 - Size 25 to 150mm ; Polypropylene
 - Size 200 to 1000mm ; Hard rubber
 - [Option]
 - Hard rubber (Size 25 to 150mm)
 - * Refer to the "LINER MATERIAL AND FLANGE."
 - Electrode : Hastelloy® C22 [Standard]
 - [Option] Stainless steel/SS316
 - Earth ring : [Option] Stainless steel/SS316
- Painting : Siloxane coating
- Color : Grey (Primary head housing/Converter housing), Jade green (Converter cover / Terminal box cover)
- Cable entry : 2 × G1/2 female thread
 - 2 × 1/2 NPT female thread
 - 2 × M20 (with watertight glands)
 - (Option : Watertight glands for G1/2)
 - (Option : Number of wiring connection ; 3)
- Supply voltage : 100 to 230V AC (85 to 250V AC)
 - 24V DC (9 to 31V)
 - * () indicates voltage range.
- Supply frequency : 48 to 63Hz (AC)
- Power consumption : AC ; approx. 22VA
 - DC ; approx. 12W
- Ambient temp. : -40 to +65°C (Fluid temp. ≤90°C)
 - 50 to +70°C (For storage)
- Grounding : Grounding resistance must be less than 100Ω.
- Process connection : Flange connection
- Flanges : JIS10K/20K, ANSI class 150/300, DIN PN40/16/10
 - * Refer to the "LINER MATERIAL AND FLANGE."

Fluid Specification

- Temperature : -5 to +90°C
- Pressure : To be within the applicable flange limitation.
 - * Refer to "FLUID TEMPERATURE AND PRESSURE RANGE" table as details.
- Conductivity : To be more than 20µS/cm

Indication and Output Specification

- Indicator : Blue, dot matrix LCD (With backlight)
 - 128 × 64 pixels (59 × 31mm)
 - Indication function :
 - Changeover (2 screens)
 - One to three lines are displayed at one screen.
 - Contents of indication ; Flow rate, velocity, total flow, conductivity, and coil temperature
- Current output : 4 to 20mA DC (Max. 22mA)
 - Internal power supply :
 - Less than 1000ohms (Load resistance)
 - External power supply :
 - Less than 32V DC (External voltage)

- Pulse output
 - Open collector output
 - Rating : Less than 32V DC, 20mA (≤10kHz)
 - Less than 100mA (≤100Hz)
 - Pulse rate
 - 2 to 36,000,000 pulse/h (0.00056Hz to 10kHz)
 - Pulse width
 - One of the following selectable
 - 1) Automatic : Pulse width by which duty factor to be 50% at full scale
 - 2) Duty factor 1:1 fixed
 - 3) Free setting ; 0.05 to 2000m/s
- Status output
 - Open collector output
 - Rating : Less than 32V DC, 100mA Max.
 - Contents of output
 - One of the following selectable:
 - 1) No status output (Standard factory setting)
 - 2) Identification of flow direction
 - 3) Over range
 - 4) Error
 - 5) Flow alarm
 - 6) Identification of range (For double range measurement)
 - 7) Empty detection

- Control input
 - Voltage input
 - Low : 0 to 2.5V DC High : 19 to 32V DC
 - Contents
 - One of the following selectable:
 - 1) No control input (Standard factory setting)
 - 2) Signal hold
 - 3) Signal lock to 0%
 - 4) Total counter reset
 - 5) Error reset
 - 6) Range selection (For double range measurement)

● Description of input and output terminal

Terminal	Standard setup	Switchover by reprogramming
A (A, A / A-)	Current output	-
B (B / B-)	Status output	Control input
C (C / C-)	Status output	-
D (D / D-)	Pulse output	Status output

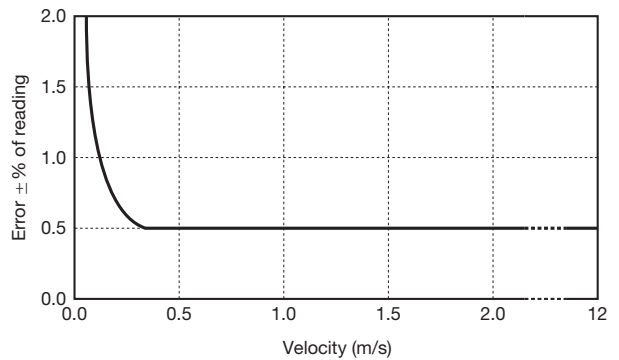
- Low flow cutoff
 - Current output, Pulse output, Indicator (Separate setting is possible.)
 - Setting value : 0.0 to 20.0% FS
 - Setting value (Standard) :
 - Current output, Pulse output ; ON 1%, OFF 3% FS
 - Indicator ; Without low flow cutoff
- Damping time constant
 - Current output, Pulse output, Indicator (Separate setting is possible.)
 - Setting value : 0.0 to 100.0s
 - Setting value (Standard) :
 - Current output, Indicator ; 3s
 - Pulse output ; Damping time constant 0
- Isolation of input and output
 - Each circuit of power supply, electrode input, terminal A, terminal B, terminal C, and terminal D are isolated.

Standard Functions

- Customer's free measuring unit setting function
Volume (or mass) and time unit in 7 characters can be created.
- Automatic zero adjustment function
Zero adjustment is automatically conducted at "ZERO ADJUST MODE" (Subject to zero flow)
- Bi-directional flow measurement function
A flow-direction distinction signal is outputted in state output and current.
- Double range measurement function
Possible range setting range ratio 1 : 20 to 1 : 1.25
(Setting range of low range : 5 to 80% of high range)
Range selection ; By automatic or control input signal
- Excitation current frequency switching function
Standard mode :
1/6 of supply frequency (Standard)
High frequency mode :
1/50 to 2 of supply frequency (For slurry, pulsating flow, etc.)
- Self diagnosis function
The following conditions are indicated by error message;
Functional diagnosis :
Coil disconnection, CPU, Memory, Software, Output module, and Output connection
Status diagnosis :
Velocity distribution, Linearity, Magnetizing current / frequency, Empty detection, Over range, Counter over flow, and Power fail detection
- Memory save function for power fail
Operation parameters and totalization figures are stored for more than 10 years by EEPROM (Non volatile memory).
- Testing function
Simulating output function for current and pulse output is integrated.
Current output test :
Arbitrary output (0.0 to 22.0 mA)
Pulse output test :
Arbitrary output (1Hz to 10kHz)
Status output test : On / Off
- Touch sensor setting function (Infrared radiation)
By four infrared sensors, data setup from exterior is possible without removing cover.

Accuracy (*)

- Indication and pulse output
For velocity $\geq 0.33\text{m/s}$; $\pm 0.5\%$ of reading
For velocity $< 0.33\text{m/s}$; $\pm 0.2\%$ of reading + velocity error of $\pm 0.001\text{m/s}$



- Current output :
Additional error of $\pm 0.01\text{mA}$ be added onto display and pulse output.

(*) Basis condition

Fluid	: Water
Fluid temperature	: 10 to 30°C
Conductivity	: 150 $\mu\text{S/cm}$ or more
Supply voltage	: Rated voltage $\pm 2\%$
Ambient temperature	: 18 to 28°C
Upstream / Downstream pipe length:	10D / 2D (D: Diameter)
Warm-up time	: About 10 minutes
Measuring time	: 100s

FLUID TEMPERATURE AND PRESSURE RANGE

Fluid Temperature

Liner	Nominal size (mm)	Temperature
Polypropylene	25 to 150	-5 to +90°C
Hard rubber	25 to 1000	-5 to +80°C

Maximum Pressure

Liner	Nominal size (mm)	Pressure MPa *
Polypropylene	25 to 80 (Except 65mm)	4.0
	65, 100 to 150	1.6
Hard rubber	25 to 1000	15

* Maximum operating pressure must be within the flange rating pressure.

The value on this table indicates maximum pressure which can be manufactured.

Consult TOKYO KEISO for details.

Permissible Vacuum Load

* : Vacuum not acceptable - : Not applicable

Liner	Nominal size (mm)	Minimum pressure kPa (abs) / Fluid temp.			
		40°C	60°C	80°C	90°C
Polypropylene	25 to 150	25	40	40	*
Hard rubber	25 to 300	25	40	40	-
	350 to 1000	50	60	60	-

FLOW RANGE

Nominal size (mm)	Possible setting range (m ³ /h)		Nominal size (mm)	Possible setting range (m ³ /h)	
	Min. (Velocity : 0 to 0.3 m/s)	Max. (Velocity : 0 to 12 m/s)		Min. (Velocity : 0 to 0.3 m/s)	Max. (Velocity : 0 to 12 m/s)
25	0 to 0.531	0 to 21.2	300	0 to 76.4	0 to 3053
40	0 to 1.36	0 to 54.2	350	0 to 104	0 to 4156
50	0 to 2.13	0 to 84.8	400	0 to 136	0 to 5428
65	0 to 3.59	0 to 143	450	0 to 172	0 to 6870
80	0 to 5.43	0 to 217	500	0 to 213	0 to 8482
100	0 to 8.49	0 to 339	600	0 to 306	0 to 12214
125	0 to 13.3	0 to 530	700	0 to 416	0 to 16624
150	0 to 19.1	0 to 763	800	0 to 543	0 to 21714
200	0 to 34.0	0 to 1357	900	0 to 688	0 to 27481
250	0 to 53.1	0 to 2120	1000	0 to 849	0 to 33928

LINER MATERIAL AND FLANGE

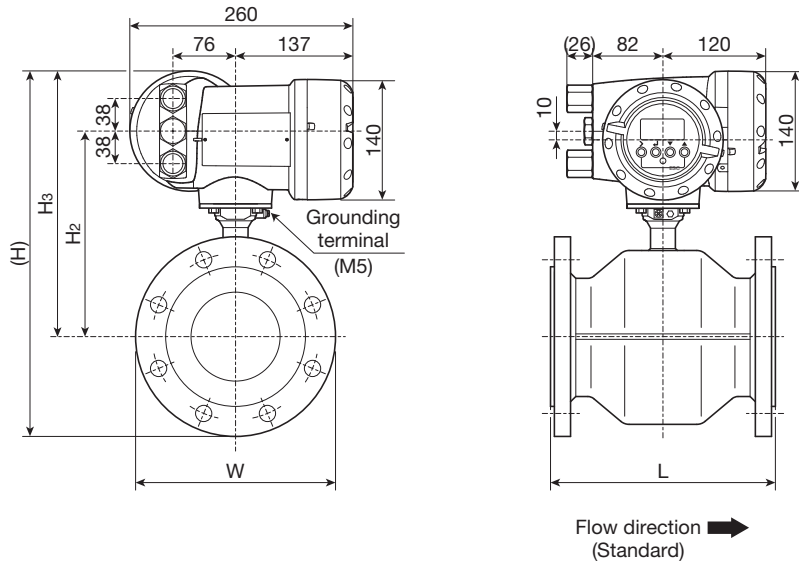
◎ : Standard ○ : Option — : Not applicable

Flange rating	Liner	Nominal size (mm)																			
		25	40	50	65	80	100	125	150	200	250	300	350	400	450	500	600	700	800	900	1000
JIS10K *	Polypropylene	◎	◎	◎	◎	◎	◎	◎	◎	—	—	—	—	—	—	—	—	—	—	—	—
	Hard rubber	○	○	○	○	○	○	○	○	◎	◎	◎	◎	◎	◎	◎	◎	◎	◎	◎	◎
JIS20K	Polypropylene	◎	◎	—	—	—	—	—	—	—	—	—	—	—	—	—	—	—	—	—	—
	Hard rubber	—	—	—	—	—	—	—	—	○	○	○	○	○	○	○	○	—	—	—	—
ANSI class 150	Polypropylene	◎	◎	◎	◎	◎	◎	◎	◎	—	—	—	—	—	—	—	—	—	—	—	—
	Hard rubber	○	○	○	○	○	○	○	○	◎	◎	◎	◎	◎	◎	◎	◎	◎	◎	◎	◎
ANSI class 300	Polypropylene	—	—	—	—	—	—	—	—	—	—	—	—	—	—	—	—	—	—	—	—
	Hard rubber	○	○	○	○	○	○	○	○	○	○	○	○	○	○	○	○	—	—	—	—
DIN PN10	Hard rubber	—	—	—	—	—	—	—	—	◎	◎	◎	◎	◎	◎	◎	◎	◎	◎	◎	◎
DIN PN16	Polypropylene	—	—	—	◎	—	◎	◎	◎	—	—	—	—	—	—	—	—	—	—	—	—
	Hard rubber	—	—	—	○	—	○	○	○	○	○	○	○	○	○	○	○	—	—	—	—
DIN PN25	Polypropylene	—	—	—	—	—	—	—	—	—	—	—	—	—	—	—	—	—	—	—	—
	Hard rubber	—	—	—	○	—	○	○	○	○	○	○	○	○	○	○	○	—	—	—	—
DIN PN40	Polypropylene	◎	◎	◎	—	◎	—	—	—	—	—	—	—	—	—	—	—	—	—	—	—
	Hard rubber	○	○	○	○	○	○	○	○	○	○	○	○	○	○	○	○	—	—	—	—

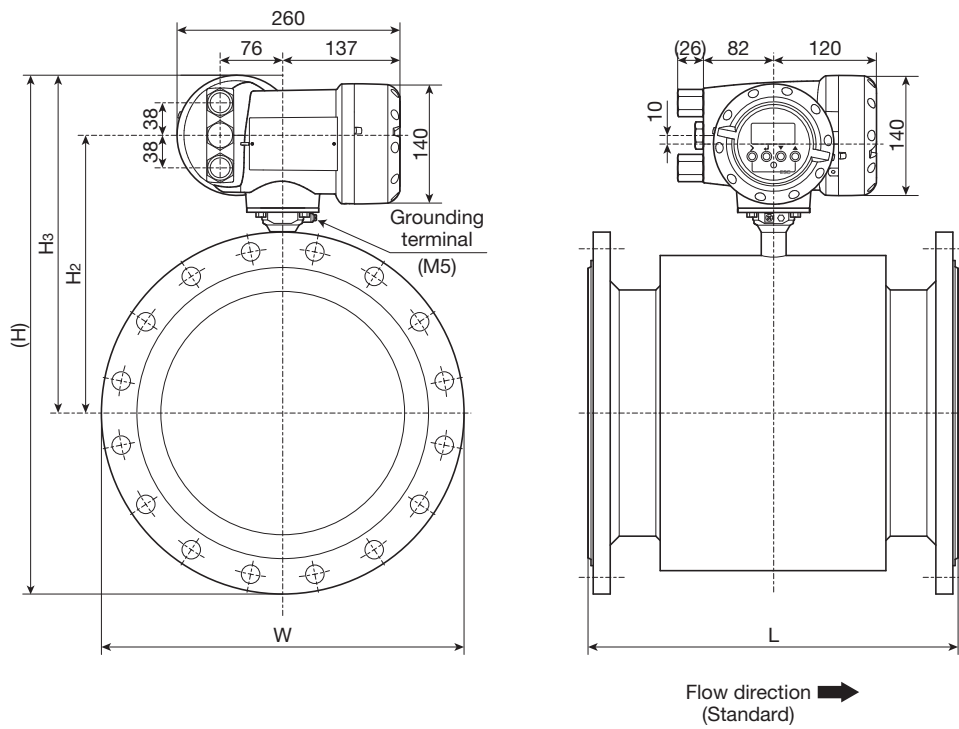
* JIS20K flange is provided for nominal size 25 and 40mm as standard.
 (Installation dimensions of JIS20K flange are equal to JIS10K except the flange thickness.)

DIMENSIONS

Nominal size: 25 to 150mm



Nominal size: 200 to 1000mm



Nominal size (mm)	Dimensions (mm)							Mass (kg)	
	L *1		(H)		H ₂	H ₃	W *2	JIS 10K	ANSI 150
	JIS 10K	ANSI 150	JIS 10K	ANSI 150					
25	150	150	301	293	169	239	90	12	13
40	150	150	316	310	176	246	105	13	14
50	200	200	335	334	188	258	120	13	14
65	200	200	349	351	192	262	140	15	16
80	200	200	357	360	194	264	150	17	18
100	250	250	387	397	212	282	175	20	23
125	250	250	421	423	226	296	210	24	27
150	300	300	452	452	242	312	240	27	31
200	350	350	507	514	272	342	291	39	48
250	400	400	563	566	293	363	331	53	68
300	500	500	610	629	318	388	381	63	100
350	500	700	655	677	340	410	428	83	134
400	600	800	716	734	366	436	483	103	170
450	600	800	771	778	391	461	533	122	190
500	600	800	825	837	417	487	585	133	228
600	600	800	940	949	472	542	694	169	311
700	700	-	1053	-	531	601	812	250	-
800	900	-	1167	-	587	657	922	333	-
900	1000	-	1269	-	639	709	1026	430	-
1000	1200	-	1379	-	691	761	1132	512	-

*1 1) Dimension L does not include earth rings thickness.

2) Total overall length (L') with earth rings is as follows.

$$L' = L + 2 \times (3+t) \text{ mm}$$

t : Gasket thickness between the liner and earth ring *

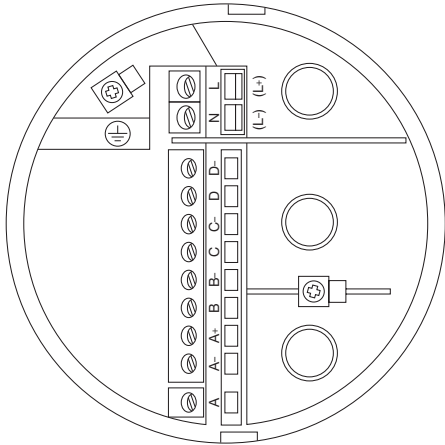
* The earth rings are not fixed onto the primary head flanges. They are to be installed between primary head and connection flanges on installation.

In case of install the earth ring, gaskets are also needed between the primary head liner side and earth ring. Total 4 pieces of gasket are needed including for connection flanges.

3) Dimension L is for JIS10K and ANSI class150 flange. Consult TOKYO KEISO for other flanges.

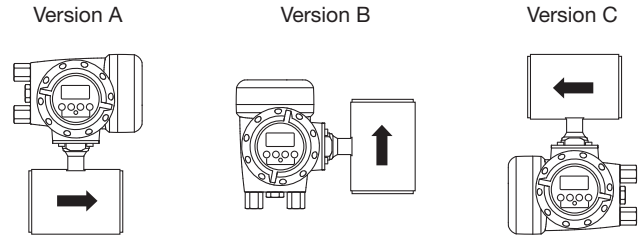
*2 Dimension W indicates external dimension of housing

ELECTRICAL CONNECTION



Mounting position of LCD display

Indication part of EGM2300C can be changed according to the flow direction.

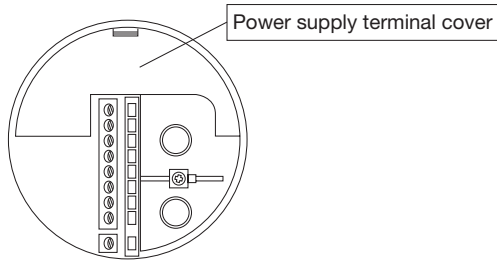


The mounting position will be arranged according to the customer's request when ordering.

The arrow indicates standard flow direction.

Flow direction can be changed by data setting.

Protection cover is provided for power supply terminals.



Terminal	Description
L / L+	L+ (+) • L- (-) (AC power supply / DC power supply)
N / L-	
⊕	Grounding

Terminal	Description	Polarity
D-	Pulse output or Status output	-
D		+
C-	Status output	-
C		+
B-	Status output or Control input	-
B		+
A+	Current output (4 to 20mA DC / HART: Internal power supply)	+
A-	Current output (4 to 20mA DC / HART: External power supply)	-
A		+

- Terminal type : Plug-in type screw terminal
- Connection capacity: 0.5 to 2.5mm²

MODEL CODE

● Nominal size : 25 to 150mm
 Model : EGM2300C

Primary head Spec. code	V N 1 4 4			0 1 C		1	0 0 0 0	0 2 0 0 0 0 0 0	Description	Standard
Primary head code	V N 1 4								Flange type	○
(Fixed code)	4								always 4	○
Nominal size	4								25mm	○
	6								40mm	○
	7								50mm	○
	8								65mm	○
	A								80mm	○
	B								100mm	○
	C								125mm	○
Flange	D								150mm	○
	3								DIN PN16	
	4								DIN PN25	
	5								DIN PN40	
	A								ANSI class 150	
	B								ANSI class 300	
	M								JIS 20K	
N								JIS 10K (For size 50mm or more) *1	○	
(Fixed code)	9							Others		
Type	0			1 C					always 0	○
Liner				5					Compact version (EGC300 Converter)	○
Electrode material				1					Hard rubber	
				3					Polypropylene	○
Construction of electrode				1					Stainless steel (SS316)	
Primary head housing / Flange material				1					Hastelloy® C22	○
Protection class				3					Fixed mounting	○
				0					Carbon steel / Carbon steel *4	○
(Fixed code)				0 0					Carbon steel / Stainless steel (SS316L)	
Calibration				0					IP66/67	○
Earth ring				0					always 00	○
				H					Standard calibration	○
				9					None	○
(Fixed code)							0 2 0 0 0 0 0 0		Stainless steel (SS316) *2	
Special feature									Others *2	
									always 02000000	○
								(Blank)	None	○
								/Z	Involved *3	

Converter Spec. code	V N 3 0 4 4 0			2 0 0 1 2 1	0 0 0 0 0	Description	Standard
Converter code	V N 3 0					Type: EGC300 (Cylindrical housing)	○
(Fixed code)	4					always 4	○
Type	4					LCD indication	○
Power supply				1		24V DC (18 to 31V)	
				A		100 to 230V AC (85 to 250V)	○
(Fixed code)	0					always 0	○
Cable entry				4		1/2 NPT female thread	
				5		G1/2 female thread	○
				6		M20 with watertight glands	
(Fixed code)				2 0 0		always 200	○
Housing				1		Standard (Aluminium alloy)	○
(Fixed code)				2		always 2	○
Output type				1		Standard (Current output + Pulse output + Control input + Status output)	○
(Fixed code)				0 0 0 0 0		always 00000	○
Special feature						(Blank)	None
						/Z	Involved *3

*1 JIS20K flange is provided for nominal size 25 and 40mm as standard.
 (Installation dimensions of JIS20K flange are equal to JIS10K except the flange thickness.)
 Select JIS20K flange (Code:M) for size 25 and 40mm.

*2 The earth rings are not fixed onto the primary head flanges.
 They are to be installed between primary head and connection flanges on installation.
 (Refer to the remarks for "DIMENSIONS" table)

*3 In case that special feature are involved, put [/Z] at the end of spec. code and specify the details.
 It is recommended to consult TOKYO KEISO for such availability before ordering.

*4 When the size is 25 to 40mm and the wetted part lining is hard rubber, the material of primary head housing become cast duplex stainless steel.

● Nominal size : 200 to 600mm

Model : EGM2300C

Primary head Spec. code	V	N	1	5	4			0	1	C	0	1	0	0	0	0	0	0	2	0	0	0	0	0	0	0	0	Description	Standard
Primary head code	V	N	1	5																							Flange type	○	
(Fixed code)					4																						always 4	○	
Nominal size						E																					200mm	○	
						F																					250mm	○	
						G																					300mm	○	
						H																					350mm		
						K																					400mm		
						L																					450mm		
						M																					500mm		
					N																					600mm			
Flange							2																				DIN PN10		
							3																				DIN PN16		
							4																				DIN PN25		
							5																				DIN PN40		
							A																				ANSI class 150		
							B																				ANSI class 300		
							M																				JIS 20K		
							N																				JIS 10K	○	
							9																				Others		
(Fixed code)							0																				always 0	○	
Type								1	C																		Compact version (EGC300 Converter)	○	
Liner									0																		Hard rubbe	○	
Electrode material										1																	Stainless steel (SS316)		
Construction of electrode										3																	Hastelloy® C22	○	
Primary head housing / Flange material											1																Carbon steel / Carbon steel	○	
Protection class												0															Carbon steel / Stainless steel (SS316L)		
(Fixed code)													0														IP66/67	○	
Calibration																											always 00	○	
Earth ring																											Standard calibration	○	
																											None	○	
																											Stainless steel (SS316) *2		
(Fixed code)																											Others *2		
Special feature																											always 02000000	○	
																											(Blank) None	○	
																											/Z Involved *3	○	

Converter Spec. code	V	N	3	0	4	4	0	2	0	0	1	2	1	0	0	0	0	0	Description	Standard
Converter code	V	N	3	0															Type: EGC300 (Cylindrical housing)	○
(Fixed code)					4														always 4	○
Type						4													LCD indication	○
Power supply							1												24V DC (18 to 31V)	
(Fixed code)							A												100 to 230V AC (85 to 250V)	○
								0											always 0	○
Cable entry									4										1/2 NPT female thread	
									5										G1/2 female thread	○
									6										M20 with watertight glands	
(Fixed code)										2	0	0							always 200	○
Housing											1								Standard (Aluminium alloy)	○
(Fixed code)												2							always 2	○
Output type													1						Standard (Current output + Pulse output + Control input + Status output)	○
(Fixed code)														0	0	0	0	0	always 00000	○
Special feature																			(Blank) None	○
																			/Z Involved *3	○

*2 The earth rings are not fixed onto the primary head flanges. They are to be installed between primary head and connection flanges on installation. (Refer to the remarks for "DIMENSIONS" table)

*3 In case that special feature are involved, put [Z] at the end of spec. code and specify the details. It is recommended to consult TOKYO KEISO for such availability before ordering.

● Nominal size : 700 to 1000mm

Model : EGM2300C

Primary head Spec. code	V	N	1	6	4					0	1	C	0	1		0	0	0	0	0	0	2	0	0	0	0	0	0	0	0	Description	Standard				
Primary head code	V	N	1	6																										Flange type	○					
(Fixed code)					4																									always 4	○					
Nominal size						P																								700mm						
						R																											800mm			
						S																													900mm	
						T																													1000mm	
Flange						2																									DIN PN10					
						A																												ANSI class 150		
						N																													JIS 10K	○
						9																													Others	
(Fixed code)																														always 0	○					
Type											1	C																		Compact version (EGC300 Converter)	○					
Liner																														Hard rubbe	○					
Electrode material											1																				Stainless steel (SS316)					
																																			Hastelloy® C22	○
Construction of electrode																															Fixed mounting	○				
Primary head housing / Flange material																																Carbon steel / Carbon steel	○			
																																			Carbon steel / Stainless steel (SS316L)	○
Protection class																															IP66/67	○				
(Fixed code)																															always 00	○				
Calibration																																Standard calibration	○			
Earth ring																																None	○			
																																			Stainless steel (SS316) *2	
																																				Others *2
(Fixed code)																															always 02000000	○				
Special feature																															(Blank)	None	○			
																															/Z	Involved *3				

Converter Spec. code	V	N	3	0	4	4	0			2	0	0	1	2	1	0	0	0	0	0									Description	Standard							
Converter code	V	N	3	0																										Type: EGC300 (Cylindrical housing)	○						
(Fixed code)					4																									always 4	○						
Type						4																								LCD indication	○						
Power supply																															24V DC (18 to 31V)						
						A																													100 to 230V AC (85 to 250V)	○	
(Fixed code)																															always 0	○					
Cable entry																																1/2 NPT female thread					
																																				G1/2 female thread	○
																																				M20 with watertight glands	
(Fixed code)																															always 200	○					
Housing																															Standard (Aluminium alloy)	○					
(Fixed code)																															always 2	○					
Output type																															Standard (Current output + Pulse output + Control input + Status output)	○					
(Fixed code)																															always 00000	○					
Special feature																															(Blank)	None	○				
																															/Z	Involved *3					

*2 The earth rings are not fixed onto the primary head flanges.
They are to be installed between primary head and connection flanges on installation.
(Refer to the remarks for "DIMENSIONS" table)

*3 In case that special feature are involved, put [/Z] at the end of spec. code and specify the details.
It is recommended to consult TOKYO KEISO for such availability before ordering.

STANDARD ACCESSORIES

- Parameter sheet : 1
- Instruction manual : 1

OPTION

- G1/2 watertight glands for cable entry : 1 set [Symbol : WG]
- Number of wiring connection : 3 [Symbol : 3G]
- No converter data (parameter) setting [Symbol : NS]
We will supply with standard data setting in case you have no request.
Please set the data of flow range, pulse rate and flow direction etc. that required operating.

ORDERING INSTRUCTIONS

Specify the following when ordering :

1. Model and spec. code

Example : Model : EGM2300C

Primary head spec. code :

VN1447N01CT3110000002000000

Converter spec. code : VN3044A0520012100000

2. Flow range (Full scale) (Unnecessary when option is NS.)

3. Option (Specify if necessary.)

Specify the symbol with reference to the option.

4. Fluid name

* Specification is subject to change without notice.

 **TOKYO KEISO CO., LTD.**

Head Office : Shiba Toho Building, 1-7-24 Shibakoen, Minato-ku, Tokyo 105-8558

Tel : +81-3-3431-1625 (KEY) ; Fax : +81-3-3433-4922

e-mail : overseas.sales@tokyokeiso.co.jp ; URL : <http://www.tokyokeiso.co.jp>