



TECHNICAL GUIDANCE

Compact, heat-resistant type purgometer for measuring liquids

P-830 Purgometer

OUTLINE

With improved structure and materials, the P-830 features a heat resistance of up to 130°C.

MAJOR APPLICATIONS

Cooling-water lines for semiconductor production equipment

STANDARD SPECIFICATIONS

Measuring fluid	Liquid (Equivalent to water: Density 1.0 g/cm ³ , Viscosity 1.0 mPa·s)	
Measuring range	Water	Min. 0.1 to 1 L/min Max. 1.5 to 7 L/min
	<ul style="list-style-type: none"> When selecting a flow range, refer to "Index & Quick Reference for P Series Purgometers" (TG-S0001). When selecting a flow range, refer to the standard flow rate table. 	
Range ability	10 : 1 (10 : 2 for some models)	
Indication accuracy	±10% F.S.	
Fluid pressure	Max. 1 MPa	
Fluid temperature	Max. 130°C	
Material	Wetted part	SCS14/SUS304
	Tapered tube	Heat-resistant glass
	Gasket	Fluoro rubber (Max. 130°C) • The maximum fluid temperature for gasket material may vary depending on usage and ambient conditions.
	Mounting plate	Aluminum
	Cover	Acrylic
Process Connection	Rc : 3/8" NPT : 3/8" SW : 3/8" (Standard)	
Mounting	Screw mount on the panel front (Standard)	
Mass	approx. 0.5 kg	

ALARM CONTACT AND OUTPUT

Type	Availability	
Reed switch type alarm unit	General	×
	UL-approved	○
PAU optical alarm unit	×	

For CE approval, refer to "Index & Quick Reference for P Series Purgometers" (TG-S0001).

STANDARD FLOW RATE TABLE

For alarm output code of 0		For alarm output codes of A to D	
Water	Water	Water	Alarm setting range
0.1 to 1 L/min	0.1 to 1 L/min	0.1 to 1 L/min	0.1 to 0.8 L/min
0.4 to 1.5 L/min	0.4 to 1.5 L/min	0.4 to 1.5 L/min	0.4 to 1.2 L/min
0.2 to 2 L/min	0.2 to 2 L/min	0.2 to 2 L/min	0.4 to 1.6 L/min
0.3 to 3 L/min	0.3 to 3 L/min	0.3 to 3 L/min	0.6 to 2.4 L/min
0.4 to 4 L/min	0.4 to 4 L/min	0.4 to 4 L/min	0.8 to 3.2 L/min
0.5 to 5 L/min	0.5 to 5 L/min	0.5 to 5 L/min	1 to 4 L/min
1.5 to 7 L/min	1.5 to 7 L/min	1.5 to 7 L/min	2.1 to 5.6 L/min

Although other flow rate specifications are available, some flow ranges need to be changed. Contact us for details.



BASIC MODEL CODE

Model Code	Model Code						Descriptions	Notes
	P-831	Valve	Alarm output	Wetted parts material	Gasket material	Process connection type		
—	0	A	—	F	—	3	Not provided	
—	U	B	6	Z	N	3/8"	Outlet	
—	Z	C			S	Z	Special	
		D			R		Special	
							Reed switch alarm (LO)	Refer to "Index & Quick Reference for P Series Purgometers" (TG-S0001).
							Reed switch alarm (LC)	
							Reed switch alarm (HO)	
							Reed switch alarm (HC)	
							Fluoro rubber (Standard)	
							Special	
							Rc	
							NPT female	
							SW (Standard)	
							Special	
							3/8"	
							Special	

OTHER AVAILABLE OPTIONS

You can specify the following options:

Length of reed switch lead wire, double graduations, special graduations, built-in rubber fitting type, various fitting types, etc.

For details, refer to "Index & Quick Reference for P Series Purgometers" (TG-S0001).

ORDERING INFORMATION

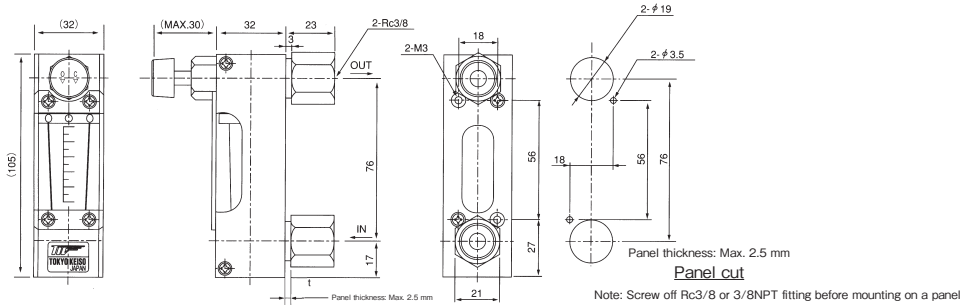
Basic model code	Items to be specified
P-831 □ - □□ - □□ - □□	① Fluid name - ② Flow range - ③ Press. - ④ Temp. - ⑤ Mounting option - ⑥ Other options
(Select in the model code table.)	(Refer to "Index & Quick Reference for P Series Purgemeters" (TG-S0001).)

DIMENSIONS

● Standard type

P - 831 - U0 - 6F - R3

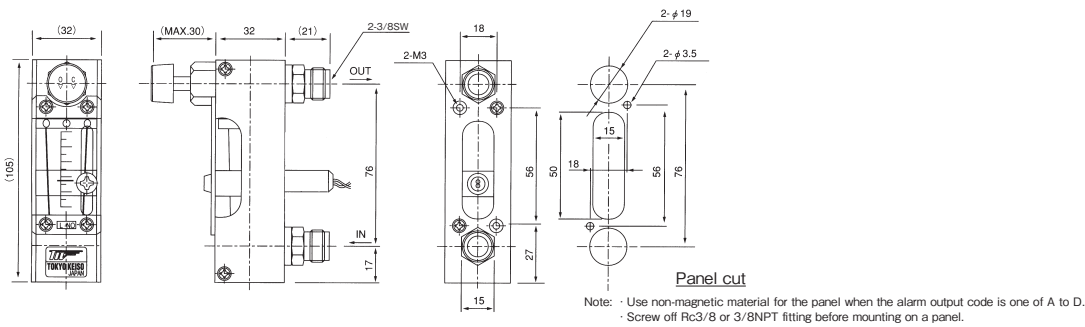
- Screw mounting on the panel front
- Valve at the outlet



● Reed switch alarm type

P - 831 - U □ - 6F - S3

- Screw mounting on the panel front
- Valve at the outlet



● Standard material

Parts name	Standard material	Available material
Body	○ SCS14	—
Tapered tube	○ Heat-resistant glass	—
Float	○ SUS316	—
Float rod	○ SUS316	—
O-ring	○ Fluoro rubber	—
Valve	○ SUS304	SUS316
Fitting	○ SUS304	SUS316
Mounting plate	Aluminum	—
Cover	Acryl	—

- Parts marked "○" come in contact with the measuring fluid.
- SUS316 may be used instead of SUS304 due to production reasons.
 - ASTM or AISI materials equivalent to JIS materials may be used due to production reasons.

* Specification is subject to change without notice.

TOKYO KEISO CO., LTD.

Head Office : Shiba Toho Building, 1-7-24 Shibakoen, Minato-ku, Tokyo 105-8558
 Tel : +81-3-3431-1625 (KEY) ; Fax : +81-3-3433-4922
 e-mail : overseas.sales@tokyokeiso.co.jp ; URL : http://www.tokyokeiso.co.jp