

P-010 Purgometer

■ OUTLINE

The P-010 is a lot production version of the popular P-100. Although measuring fluids are limited to water, air, and nitrogen, the P-010 is ideal if more than 10 units with the same specifications are required. Laser inscription of graduations on the convex surface makes reading easier.

■ MAJOR APPLICATIONS

General purpose (for small flow rates, water lines and air/nitrogen lines)

■ STANDARD SPECIFICATIONS

Measuring fluid	Gases(air/nitrogen) Water		
Measuring range	Air	Min. 0.1 to 1 L/min (nor) Max. 5 to 50 L/min (nor)	
	Water	Min. 5 to 50 mL/min Max. 0.4 to 2 L/min	
	<ul style="list-style-type: none"> When selecting a flow range, refer to "Index & Quick Reference for P Series Purgometers" (TG-S0001). When selecting a flow range, refer to the standard flow rate table. 		
Range ability	10:1 (10:2 for some models)		
Indication accuracy	±5% F.S.		
Fluid pressure	Max. 0.8MPa		
Fluid temperature	Max. 120°C (Depends on the gasket material)		
Material	Wetted part	SCS14	
	Tapered tube	Heat-resistant glass	
	Gasket	Nitrile rubber (NBR) (Max. 80°C) Fluoro rubber (Max. 120°C)	
		The maximum fluid temperature for each gasket material may vary depending on usage and ambient conditions.	
	Side plate	A6063-T5	
	Front panel	ABS	
Scale plate	Polycarbonate		
Process Connection	Rc : 1/4" (Standard) NPT : 1/4"		
Mounting	Lock nut mount on the panel front (Standard)		
Mass	approx. 0.35 kg		



■ BASIC MODEL CODE

Model Code							Descriptions	Notes
P-010	-	□	0	-	4	□		
Valve	-	L					Inlet (gas for atmospheric pressure scale)	Refer to "Index & Quick Reference for P Series Purgometers" (TG-S0001).
	-	U					Outlet (gas for pressure scale or for negative pressure on the secondary side)	
Alarm output	0						Not provided	
Wetted parts material	-	4					SCS14/SUS304	
Gasket material				N			Nitrile rubber (NBR) (Standard)	
				F			Fluoro rubber	
				Z			Special	
Process connection type					R		Rc (Standard)	Lock nut mounting on a panel front
					N		NPT female	
Process connection size						2	1/4" (Standard)	
						Z	Special	

■ ALARM CONTACT AND OUTPUT

Type	Availability	
Reed switch type alarm unit	General	×
	UL-approved	×
PAU optical alarm unit	×	

For CE approval, refer to "Index & Quick Reference for P Series Purgometers" (TG-S0001).

■ STANDARD FLOW RATE TABLE

When the fluid pressure is other than 0 MPa, refer to "Index & Quick Reference for P Series Purgometers" (TG-S0001).

Air (0°C, 0 MPa)	Water
0.1 to 1 L/min(nor)	5 to 50 mL/min
0.3 to 3 L/min(nor)	10 to 100 mL/min
0.5 to 5 L/min(nor)	20 to 200 mL/min
1 to 10 L/min(nor)	30 to 300 mL/min
2 to 20 L/min(nor)	50 to 500 mL/min
3 to 30 L/min(nor)	0.1 to 1 L/min
4 to 40 L/min(nor)	0.3 to 1.5 L/min
5 to 50 L/min(nor)	0.4 to 2 L/min

Although other flow rate specifications are available, some flow ranges need to be changed. Contact us for details.

ORDERING INFORMATION

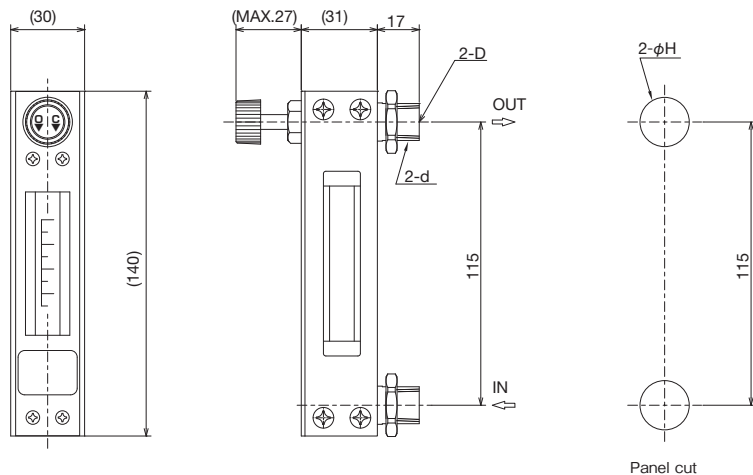
Basic model code	Items to be specified
P-010-□0-□□-□□	① Fluid name - ② Flow range - ③ Press. - ④ Temp. - ⑤ Mounting option - ⑥ Other options
(Select in the model code table.)	(Refer to "Index & Quick Reference for P Series Purgemeters" (TG-S0001).)

DIMENSIONS

Standard type

P-010-U0-4N-□□

- Lock nut mounting on the panel front
- Valve at the outlet



Panel cut size

Connection size		Diameter (mm)
D	d	H
Rc1/4	M18	20
1/4NPT	M18	20

Standard material

Parts name	Standard material	Available material
Wetted part	○ SCS14/SUS304	—
Tapered tube	○ Heat-resistant glass	—
Float *	○ SUS304, Glass, PTFE, Ruby	—
Gasket	○ NBR	Fluoro rubber
Side plate	A6063-T5	—
Front panel	ABS	—
Scale plate	Polycarbonate	—

Parts marked "○" come in contact with the measuring fluid.

* We will select a proper material for your application.

- SUS316 may be used instead of SUS304 due to production reasons.
- ASTM or AISI materials equivalent to JIS materials may be used due to production reasons.

* Specification is subject to change without notice.

TIV TOKYO KEISO CO., LTD.

Head Office : Shiba Toho Building, 1-7-24 Shibakoen, Minato-ku, Tokyo 105-8558

Tel : +81-3-3431-1625 (KEY) ; Fax : +81-3-3433-4922

e-mail : overseas.sales@tokyokeiso.co.jp ; URL : <http://www.tokyokeiso.co.jp>