

OUTLINE

CX-1510 FLOW SET VALVE is a constant flow valve for liquids of water or equivalent for water.

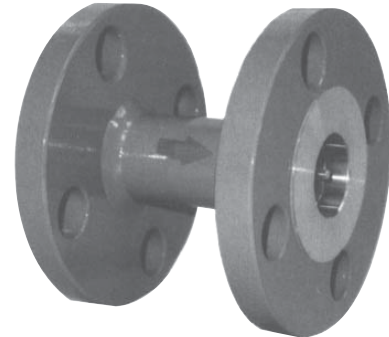
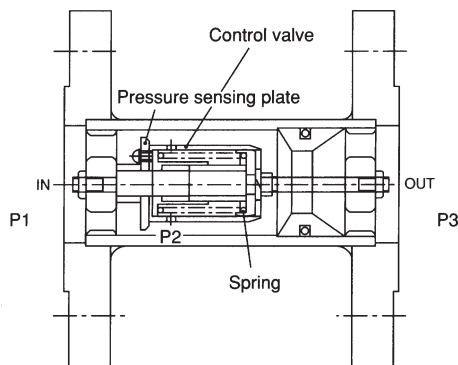
Even inlet or outlet pressure of process changes, CX-1510 maintains constant flow of liquid. CX-1510 is suitable for the stable supply of the water supply line of various facilities.

OPERATION PRINCIPLE

Water flow is introduced from inlet with pressure of P1.

The Inlet pressure P1 actuates the pressure sensing plate. The pressure sensing plate is connected to valve needle. A spring is assembled onto this valve needle unit.

The assembled spring acts so as to keep the differential pressure P2 constant and to keep constant flow even when outlet pressure P3 changes.



STANDARD SPECIFICATION

- Measuring fluid : Water or Low viscosity liquids
- Available size : 15, 20, 25, 32, 40, 50, 65, 80, and 100
- Fluid Temp. : Max. 100°C
- Fluid Press. : Max. 1.2MPa

Note) Do not give the differential pressure beyond 0.05MPa rapidly.

- Control differential pressure range : 49 to 250kPa
- Process connection : Rc thread, NPT thread, JIS10K flange, Others
- Possible setting range:

Meter size	Possible setting range (m ³ /h)
15	0.7 to 1.1
20	0.7 to 1.1
25	0.9 to 2
32	1.5 to 3.5
40	3 to 6
50	5.5 to 12
65	12 to 20
80	15 to 25
100	22 to 30

MODEL CODE

MODEL CODE		DESCRIPTION
CX-1510-		
MATERIAL CONSTRUCTION	0	MATERIAL CLASS 0 *1
	1	MATERIAL CLASS 1
	2	MATERIAL CLASS 2
	Z	Others, Special
CONNECTION SIZE	0	15mm (1/2")
	1	20mm (3/4")
	2	25mm (1")
	3	32mm (1 1/4")
	4	40mm (1 1/2")
	5	50mm (2")
	6	65mm (2 1/2")
	7	80mm (3")
	8	100mm (4")
Z	Others, Special	
CONNECTION RATING	1	Rc Screw *2
	2	NPT Screw *2
	3	JIS 10K Flange
	Z	Others, Special

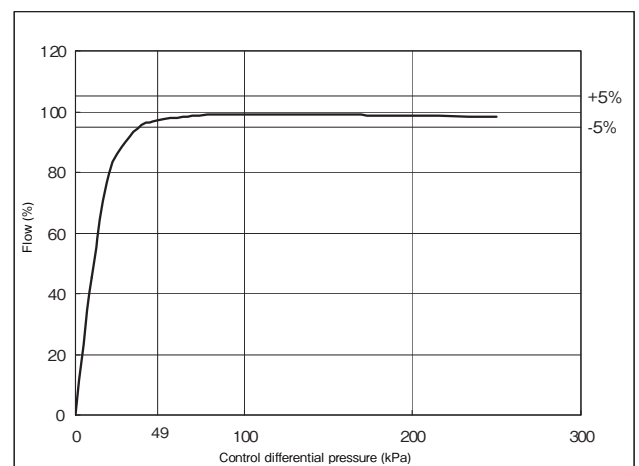
*1: Material class 1 (SUS304) or Material class 2 (SUS316) are available for screw connection versions.

*2: Screw connection is available only for 15mm to 50mm. All sizes are available for flange version.

*: Setting is factory set and not field adjustable

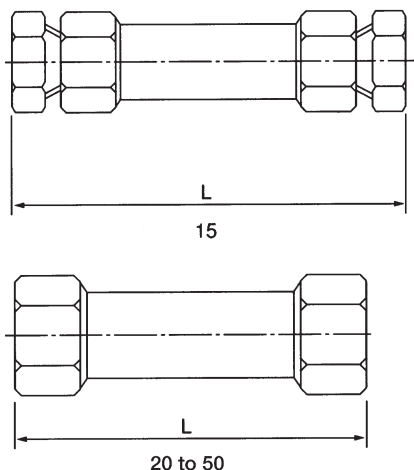
- Control accuracy : ±5% (Against set value)
- Painting : Munsell 7.5 BG 4/1.5 (Body made of SUS not painted)

- Control characteristics



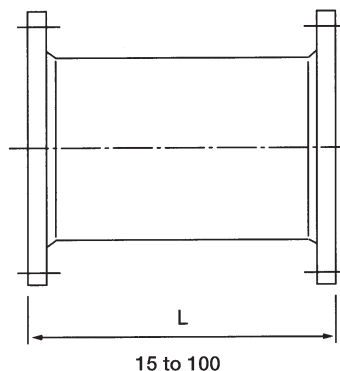
MODEL CODE

☐ Screw connection type



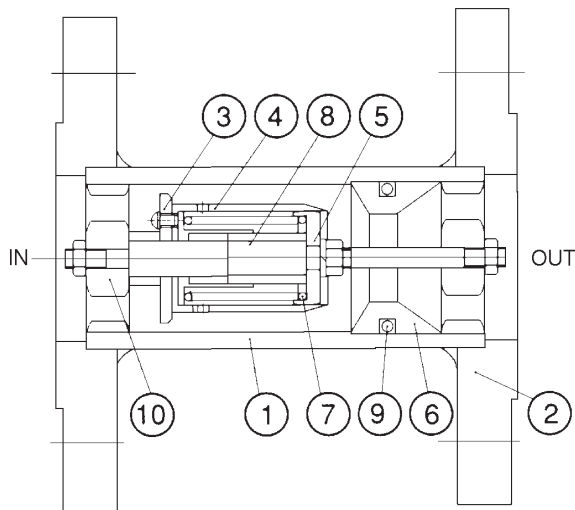
Meter size	L (mm)	Mass (Approx.)
15	150	0.9
20	110	0.6
25	140	1.0
32	150	1.3
40	170	1.6
50	200	3

☐ Flange connection type



Meter size	L (mm)	Mass (Approx.)
15	80	1.3
20	80	1.6
25	110	3
32	110	3.5
40	130	4
50	160	5.5
65	200	8
80	230	10
100	270	14

MATERIAL CONSTRUCTION



No.	PART NAME	MATERIAL CLASS 0*	MATERIAL CLASS 1	MATERIAL CLASS 2
1	Body	SUS304	SUS304	SUS316
2	Flange	SS400	SUS304	SUS316
3	Press. sensing plate	SUS304	SUS304	SUS316
4	Valve	SUS304	SUS304	SUS316
5	Valve guide	SUS304	SUS304	SUS316
6	Valve sheet	SUS304	SUS304	SUS316
7	Spring	SUS304	SUS304	SUS316
8	Guide rod	SUS304	SUS304	SUS316
9	O ring	EPDM	EPDM	FPM
10	Shaft guide	SCS13 (Less than 80A) SCS14 (More than 100A)	SCS13 (Less than 80A) SCS14 (More than 100A)	SCS14

*Material class 1 (SUS304) or Material class 2 (SUS316) are available for Screw connection versions.

* Specification is subject to change without notice.

TIV TOKYO KEISO CO., LTD.

Head Office : Shiba Toho Building, 1-7-24 Shibakoen, Minato-ku, Tokyo 105-8558
 Tel : +81-3-3431-1625 (KEY) ; Fax : +81-3-3433-4922
 e-mail : overseas.sales@tokyokeiso.co.jp ; URL : https://www.tokyokeiso.co.jp