



TECHNICAL GUIDANCE

FCX-AIII Series

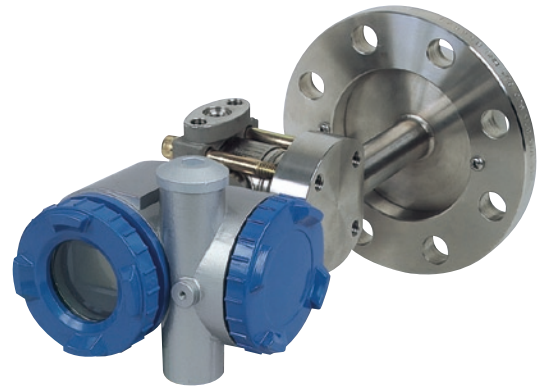
FKE...5

LEVEL TRANSMITTER

The FCX-AIII level transmitter accurately measures liquid level and transmits a proportional 4 to 20mA signal. The transmitter utilizes a unique micromachined capacitance silicon sensor with state-of-the-art microprocessor technology to provide exceptional performance and functionality.

FEATURES

- High accuracy**
0.2% accuracy for all calibrated spans is a standard feature for all models covering 0.32kPa {3.2mbar} range to 500kPa {5bar} high differential pressure range. 0.1% accuracy is available as option. Fuji's micro-capacitance silicon sensor assures this accuracy for all elevated or suppressed calibration ranges without additional adjustment.
- Minimum environmental influence**
The "Advanced Floating Cell" design which protects the pressure sensor against changes in temperature, static pressure, and overpressure substantially reduces total measurement error in actual field applications.
- Fuji/HART® bilingual communications protocol**
FCX-AIII series transmitter offers bilingual communications to speak both Fuji proprietary protocol and HART®. Any HART® compatible devices can communicate with FCX-AIII.
- Application flexibility**
Various options that render the FCX-AIII suitable for almost any process applications include:
 - Full range of hazardous area approvals
 - Built-in RFI filter and lightning arrester
 - 5-digit LCD meter with engineering unit
 - Stainless steel electronics housing
 - Wide selection of materials
 - High temperature, high vacuum service.
- Programmable output Linearization Function**
Output signal can be freely programmable.
(Up to 14 compensated points at approximation.)
- Burnout current flexibility (Under Scale: 3.2 to 4.0mA, Over Scale: 20.0 to 22.5mA)**
Burnout signal level is adjustable using Model FXW Hand Held Communicator (HHC) to comply with NAMUR NE43.
- Dry calibration without reference pressure**
Thanks to the best combination of unique construction of mechanical parts (Sensor unit) and high performance electronics circuit (Electronics unit), reliability of dry calibration without reference pressure is at equal level as wet calibration.



SPECIFICATIONS

Functional specifications

Service: Liquid, gas, or vapour

Static pressure, span, and range limit:

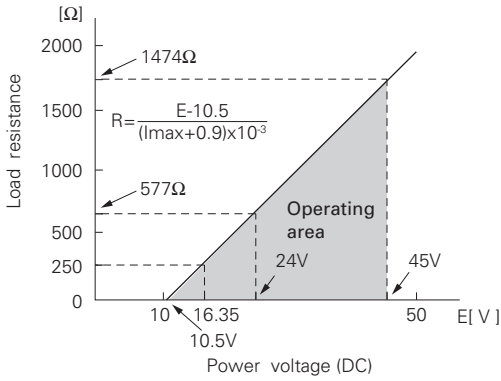
Type	Static pressure	Span limit [kPa] {m bar}		Range limit [kPa] {m bar}
		Min.	Max.	
FKE□□3	Up to flange rating	0.32 {3.2}	32 {320}	+/- 32 { +/- 320}
FKE□□5		1.3 {13}	130 {1300}	+/- 130 { +/- 1300}
FKE□□6		5 {50}	500 {5000}	+/- 500 { +/- 5000}

Remark: To minimize environmental influence, span should be greater than $\frac{1}{40}$ of the max. span in most applications.

- Lower limit of static pressure (vacuum limit) ;
Silicone fill sensor: See Fig.1
Fluorinated fill sensor: 66kPa abs (500mmHg abs) at temperature below 60 °C.
- The maximum span of each sensor can be converted to different units using factors as below.
1MPa=10³kPa=10bar=10.19716kgf/cm²=145.0377psi
1kPa=10mbar=101.9716mmH₂O=4.01463inH₂O

Overrange limit: To maximum static pressure limit
Output signal: 4 to 20mA DC with digital signal superimposed on the 4 to 20mA signal
Power supply: Transmitter operates on 10.5V to 45V DC at transmitter terminals.
10.5V to 32V DC for the units with optional arrester.

Load limitations: see figure below



Note: For communication with HHC⁽¹⁾(Model: FXW), min. of 250Ω required.

Hazardous locations: See TABLE 2

Zero/span adjustment:

Zero and span are adjustable from the HHC⁽¹⁾. Zero and span are also adjustable externally from the adjustment screw.

Damping: Adjustable from HHC or local configurator unit with LCD display.

The time constant is adjustable between 0.06 to 32 seconds.

Zero elevation/suppression:

-100% to + 100% of URL

Normal/reverse action:

Selectable from HHC⁽¹⁾

Indication: Analog indicator or 5-digit LCD meter, as specified.

Burnout direction: Selectable from HHC⁽¹⁾

If self-diagnostic detect transmitter failure, the analog signal will be driven to either "Output Hold", "Output Overscale" or "Output Underscale" modes.

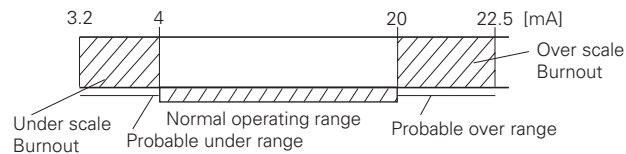
"Output Hold": Output signal is hold as the value just before failure happens.

"Output Overscale":

Adjustable within the range 20.0mA to 22.5mA from HHC⁽¹⁾

"Output Underscale":

Adjustable within the range 3.2mA to 4.0mA from HHC⁽¹⁾



Output Limits conforming the NAMUR NE43 by order.

Loop-check output:

Transmitter can be configured to provide constant signal 3.2mA through 22.5mA by HHC⁽¹⁾.

Temperature limit:

Ambient: -40 to + 85°C

(-20 to + 80°C for LCD indicator)

(-40 to + 60°C for arrester option)

(-10 to + 60°C for fluorinated oil fill transmitter)

For explosionproof units (flameproof or intrinsic safety), ambient temperature must be within the limits specified in each standard.

Process:

	Code in the 13th digit of "Code symbols"	Process temperature	Lower limit of static press
Fluorinated oil	W, A and D	-20 to 120°C	Atmospheric pressure
Silicone oil	H	-15 to 250°C	
	J	20 to 300°C	
	Y and G	-40 to 120°C	
	S	-15 to 250°C	
	T	20 to 300°C	2.7kPa abs (20.3mmHg abs)
	K	-15 to 150°C	0.13kPa abs (0.98mmHg abs)

Low pressure side contact liquid temperature on transmitter of Code H, J, S, T is 120°C or lower. Low pressure side contact liquid temperature of Code K is 85°C or lower

Storage: -40 to + 90°C

Humidity limit: 0 to 100% RH

Communication: With HHC⁽¹⁾ (Model FXW, consult Data Sheet No. EDS8-47), following items can be remotely displayed or configured.

Note: HHC's version must be higher than 7.0 (or FXW □□□□1-□4), for FCX-AIII.

Local configurator with LCD display (option):

Local configurator with 3 push button and LCD display can support following items.

Items	By communication with FXW		By local configurator (with 3 push button)	
	Display	Set	Display	Set
Tag No.	✓	✓	✓	✓
Model No.	✓	✓	✓	✓
Serial No. & Software Version	✓	—	✓	—
Engineering unit	✓	✓	✓	✓
Range limit	✓	—	✓	—
Measuring range	✓	✓	✓	✓
Damping	✓	✓	✓	✓
Output mode	✓	—	✓	—
Burnout direction	✓	✓	✓	✓
Calibration	✓	✓	✓	✓
Output adjust	—	✓	—	✓
Data	✓	—	✓	—
Self diagnoses	✓	—	✓	—
Printer (In case of FXW with printer option)	✓	—	—	—
External switch lock	✓	✓	✓	✓
Transmitter display	✓	✓	✓	✓
Linearize	✓	✓	—	—
Rerange	✓	✓	✓	✓
Saturate current	✓	✓	✓	✓
Write protect	✓	✓	✓	✓
History				
- Calibration history	✓	✓	✓	✓
- Ambient temperature history	✓	—	✓	—

Programmable output linearization function:

Output signal can be characterized with "14 points linear approximation function" from HHC⁽¹⁾.

EMC Conformity: EN61326-1: 2006 CE

(Note) (1) HHC: Hand Held Communicator

Performance specifications

Reference conditions, silicone oil fill, 316SS isolating diaphragms, 4-20 mA analog output in linear mode.

Accuracy rating: (including linearity, hysteresis, and repeatability)

(Standard)

For spans greater than 1/10 of URL: ±0.2% of span

For spans below 1/10 of URL:

$$\pm \left(0.1 + 0.1 \frac{0.1 \times \text{URL}}{\text{Span}} \right) \% \text{ of span}$$

(Option) (Code: 21th digit H, K)

For span greater than 1/10 of URL: 0.1% of span

For span below 1/10 of URL:

$$\pm \left(0.05 + 0.05 \frac{0.1 \times \text{URL}}{\text{Span}} \right) \% \text{ of span}$$

Stability: ±0.2% of upper range limit (URL) for 10 years.

Temperature effect:

Effects per 28°C change between the limits of -40°C and +85°C

(Standard) Zero shift: $\pm \left(0.35 \frac{\text{URL}}{X} \right) \%$

Total effect: $\pm \left(0.5 \frac{\text{URL}}{X} \right) \%$

(Option) (Code: 21th digit J, K)

Zero shift: ±0.3% (X>1/4URL)

$$\pm \left(0.1 + 0.2 \frac{0.25 \times \text{URL}}{X} \right) \% (x < 1/4 \text{URL})$$

Total effect: ±0.4% (X>1/4URL)

$$\pm \left(0.2 + 0.2 \frac{0.25 \times \text{URL}}{X} \right) \% (x < 1/4 \text{URL})$$

Static pressure effect:

Zero shift: ±0.2% of URL / 1MPa

Span shift: -0.2% of calibrated span / 1MPa

Overrange effect: Zero shift; ±0.1% of URL for flange rating pressure

Supply voltage effect:

Less than 0.005% of calibrated span per 1V

Update rate: 60 msec

Step response: (without electrical damping)

Range code	Time constant (at 23°C)	Dead time
"3"	0.55 s	0.12 s
"5" and "6"	0.3 s	

Mounting position effect:

Zero shift, less than 0.3kPa {3m bar} for a 10° tilt in any plane. (No extension)

No effect on span.

This error can be corrected by adjusting zero.

Dielectric strength:

500V AC, 50/60Hz 1 min., between circuit and earth.

Insulation resistance:

More than 100MΩ at 500V DC.

Internal resistance for external field indicator:

12Ω or less

Physical specifications

Electrical connections:

G¹/₂, 1/2-14 NPT, Pg13.5, or M20 x 1.5 conduit, as specified.

Process connections:

LP side: 1/4-18 NPT or Rc¹/₄.

HP side: ANSI, DIN, or JIS raised face flange. See OUTLINE DIAGRAM for detailed dimensions.

Refer to "Code symbols"

Process-wetted parts material:

Material code (7th digit in "Code symbols")	LP side			HP side
	Process cover	Diaphragm	Wetted sensor body	Diaphragm & flange face
V	316 stainless (*)	316L stainless	316 stainless	316L stainless
J	316 stainless (*)	316L stainless	316 stainless	316L stainless steel + AU coating
C	316 stainless (*)	316L stainless	316 stainless	MA276
D	316 stainless (*)	316L stainless	316 stainless	Monel
E	316 stainless (*)	316L stainless	316 stainless	Tantalum
H	316 stainless (*)	MA276	MA276 lining	MA276
M	316 stainless (*)	Monel	MA276 lining	Monel
T	316 stainless (*)	Tantalum	Tantalum lining	Tantalum
B	MA276	MA276	MA276 lining	MA276
L	Monel lining	Monel	Monel lining	Monel
U	Tantalum	Tantalum	Tantalum lining	MA276
P	316 stainless (*)	316L stainless	316 stainless	Tantalum
R	316 stainless (*)	316L stainless	316 stainless	Zirconium

Note: (*) SCS14A per JIS G 5121 (equivalent CF8M per ASTM A351/A351M)

Remark: Sensor O-rings: Viton O-ring or teflon gasket selectable

Non-wetted parts material:

Electronics housing: Low copper die-cast aluminum alloy finished with polyester coating (standard), or 316 stainless steel (ASTM CF8M), as specified.

Bolts and nuts: Cr-Mo alloy (standard) or 304 stainless steel

Fill fluid: Silicone oil (standard) or fluorinated oil

Mounting flange: 304 stainless steel or Carbon steel, as specified

Environmental protection:

IEC IP67 and NEMA 6 / 6P

Flange mounting: See drawings

Mass {weight}: Transmitter approximately 10.2 to 19.2kg without options.

Add; 0.5kg for mounting bracket

4.5kg for stainless steel housing option

1.0kg per 50mm extension of diaphragm

Optional features

- Indicator: A plug-in analog indicator (2.5% accuracy). An optional 5-digit LCD meter with engineering unit is also available.
- Local configurator with LCD display: An optional 5 digits LCD meter with 3 push buttons can support items as using communication with FXW.
- Arrester: A built-in arrester protects the electronics from lightning surges. Lightning surge immunity : 4kV(1.2×50μs)
- Oxygen service: Special cleaning procedures are followed throughout the process to maintain all process wetted parts oil-free. The fill fluid is fluorinated oil.
- Chlorine service: Oil-free procedures as above. Includes fluorinated oil for fill.
- Degreasing: Process-wetted parts are cleaned, but the fill fluid is standard silicone oil. Not for use on oxygen or chlorine measurement.
- Vacuum service: Special silicone oil and filling procedure are applied. See Fig.1 and Fig.2
- Optional tag plate: An extra stainless steel tag with customer tag data is wired to the transmitter.
- Coating of cell: Coating of cell: Cell's surface is finished with epoxy/polyurethane double coating. Specify if environment is extremely corrosive.

ACCESSORIES

- Oval flanges: Converts process connection to ½-14 NPT or to Rc½; in carbon steel or in 316 stainless steel.)
- Hand held communicator: Handy type communicator with built in battery.

ORDERING INFORMATION

When ordering this instrument, specify:

1. CODE SYMBOLS
2. Measuring range
3. Output orientation (burnout direction) when abnormality is occurred in the transmitter. Hold / Overscale / Underscale. Unless otherwise specified, output hold function is supplied.
4. Indication method (indicated value and unit) in case of the actual scale (code D, H, P, S on 9th digit).
5. TAG No. (up to 14 alphanumeric characters), if required.

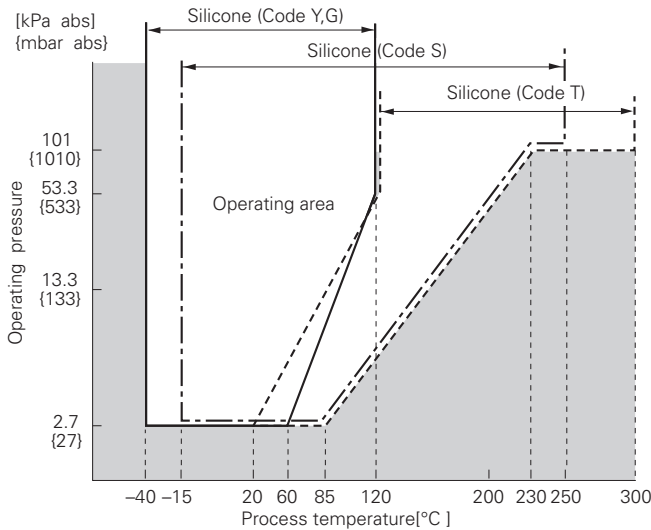


Fig. 1 Relation between process temperature and operating pressure

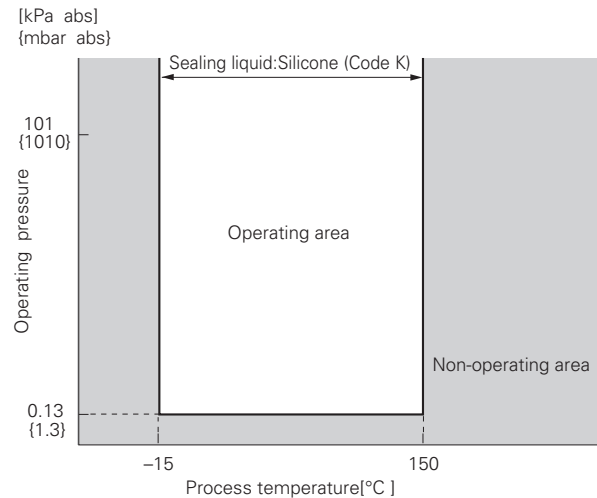


Fig. 2 Relation between process temperature and operating pressure

CODE SYMBOLS

Digit	Description	Note	Digit No. of code																	
			1	2	3	4	5	6	7	8	9	10	11	12	13	14	15	21		
4	<Low pressure Connections>		F	K	E															
	<Process connection>	<Oval flange screw>	<Conduit connection>	<Case type>																
	Rc1/4	7/16-20UNF	G1/2	T type																
	1/4-18NPT	7/16-20UNF	1/2-14NPT	T type																
	1/4-18NPT	M10	Pg 13.5	T type																
	1/4-18NPT	M10	M20×1.5	T type																
	1/4-18NPT	7/16-20UNF	Pg 13.5	T type																
	Rc1/4	7/16-20UNF	G1/2	L type																
	1/4-18NPT	7/16-20UNF	1/2-14NPT	L type																
	1/4-18NPT	M10	Pg 13.5	L type																
	1/4-18NPT	M10	M20×1.5	L type																
	1/4-18NPT	7/16-20UNF	Pg 13.5	L type																
5	<Mounting flange>																			
	Material	Size and rating																		
	304 stainless steel	JIS 10K 80A																		
		JIS 10K 100A																		
		JIS 30K 80A																		
		JIS 30K 100A																		
		ANSI/JPI 150LB 3"																		
		ANSI/JPI 150LB 4"																		
		ANSI/JPI 300LB 3"																		
		ANSI/JPI 300LB 4"																		
		DIN PN40 DN80																		
		DIN PN16 DN100																		
	JIS 20K 80A																			
	ANSI/JPI 600LB 3B																			
	Carbon steel	JIS 10K 80A																		
		JIS 10K 100A																		
		JIS 30K 80A																		
		JIS 30K 100A																		
		ANSI/JPI 150LB 3"																		
		ANSI/JPI 150LB 4"																		
		ANSI/JPI 300LB 3"																		
		ANSI/JPI 300LB 4"																		
		DIN PN40 DN80																		
		DIN PN16 DN100																		
316 stainless steel	JIS 10K 80A																			
	ANSI/JPI 150LB 3B																			
	ANSI/JPI 150LB 4B																			
	ANSI/JPI 300LB 3B																			
	ANSI/JPI 300LB 4B																			
	ANSI/JPI 600LB 3B																			
6			Note 1																	
	0.32 ---- 32	{3.2 ---- 320}																		
	1.3 ---- 130	{13 ---- 1300}	Note 2																	
	5 ---- 500	{50 ---- 5000} (*2)																		
7	<Material>																			
			LP side		HP side															
	Process cover	Diaphragm	Wetted sensor body	Diaphragm and flange face																
	316 stainless steel	316L stainless steel	316 stainless steel	316L stainless steel																
	316 stainless steel	316L stainless steel	316 stainless steel	MA276																
	316 stainless steel	316L stainless steel	316 stainless steel	Monel																
	316 stainless steel	316L stainless steel	316 stainless steel	Tantalum																
	316 stainless steel	316L stainless steel	316 stainless steel	Diaphragm: 316L stainless steel +Au coating Flange face: 316 stainless steel																
	316 stainless steel	MA276	MA276 lining	MA276																
	316 stainless steel	Monel	Monel lining	Monel																
	316 stainless steel	Tantalum	Tantalum lining	Tantalum																
	MA276 lining	MA276	MA276 lining	MA276																
	Monel lining	Monel	Monel lining	Monel																
	Tantalum lining	Tantalum	Tantalum lining	Tantalum																
	316 stainless steel	316L stainless steel	316 stainless steel	Titanium	Note 3															
	316 stainless steel	316L stainless steel	316 stainless steel	Zirconium	Note 3															

Note 1: (*1) 100: 1 turn down is possible, but should be used at a span greater than 1/40 of the maximum span for better performance.

Note 2: (*2) Not available for 7th digit code "R".

Note 3: (*3) 5th digit code "0, 2, 4, 6, 8, A, C, E, G, J" are available.

FKE---5 LEVEL TRANSMITTER

Digit	Description	Note	1	2	3	4	5	6	7	8	9	10	11	12	13	14	15	21	← Digit No. of code	
9	<Indicator and arrester>		F	K	E					5	-									
	<u>Indicator</u>	<u>Arrester</u>										A								
	None	None										B								
	Analog, 0 to 100% linear scale	None										D								
	Analog, custom scale	None																		
	None	Yes											E							
	Analog, 0 to 100% linear scale	Yes											F							
	Analog, custom scale	Yes											H							
	Digital, 0 to 100% linear scale	None																		
	Digital, custom scale	None																		
	Digital, 0 to 100% linear scale	Yes																		
	Digital, custom scale	Yes																		
	Digital, 0 to 100% linear scale (Local configurator unit with LCD display)	None																		
	Digital, custom scale (Local configurator unit with LCD display)	None																		
	Digital, 0 to 100% linear scale (Local configurator unit with LCD display)	Yes																		
Digital, custom scale (Local configurator unit with LCD display)	Yes																			
10	<Approvals for hazardous locations>																			
	None (for ordinary locations)																			
	TIIS, Flameproof (Conduit seal) (*8)	Note 8																		
	TIIS, Flameproof (Cable gland seal) (*8)	Note 8																		
	TIIS, Intrinsic safety																			
	FM, Flameproof (or explosionproof) (*11)	Note 11																		
	FM, Intrinsic safety and nonincentive																			
	FM Combined of flameproof and intrinsic safety (*11)	Note 11																		
	ATEX Flameproof (*10)	Note 10																		
	ATEX Intrinsic safety																			
	ATEX Type n																			
	ATEX Combined of flameproof and intrinsic safety (*10)	Note 10																		
	IECEx Scheme, Flameproof (*10)	Note 10																		
	IECEx Scheme, Intrinsic safety																			
	CSA, Flameproof (or explosionproof) (*11)	Note 11																		
CSA, Intrinsic safety and nonincentive																				
NEPSI, Flameproof (or explosionproof)																				
NEPSI, Intrinsic safety																				
NEPSI, Combined of flameproof and intrinsic safety																				
11	<Diaphragm extension [mm]>																			
	<u>Extension [mm]</u>	<u>Applicable material code</u>																		
	0	Any																		
	50	} (7th digit code "V" only)																		
	100																			
	150																			
	200																			
	50	} (7th digit code "H", "B", "C" only)																		
	100																			
	150																			
200																				
12	<Options>																			
	<u>Extra SS tag plate</u>	<u>Stainless steel elec. housing</u>	<u>Coating of cell</u>																	
	None	None	None	Note 4																
	Yes	None	None																	
	None	(*4)	None																	
	Yes	None	Yes																	
	None	Yes	Yes	Note 7																
Yes	Yes	(*7)	Note 7																	
13	<Special applications and fill fluid>																			
	<u>Treatment</u>	<u>Fill fluid</u>																		
	Standard	Silicone oil																		
	Standard	Fluorinated oil																		
	Degreasing	Silicone oil																		
	Oxygen service	Fluorinated oil (7th digit code "V", "J" only)																		
	Chlorine service	Fluorinated oil (7th digit code "H", "T", "B", "U", "C" and "E")																		
	High temp. 250°C	} 7th digit code "V", "C", "H", "B"	} (* 5)	Note 5																
	High temp. 300°C																			
	High temp. and vacuum (250°C)																			
High temp. and vacuum (300°C)																				
High temp. and high vacuum	Silicone oil																			

Note 4: (*4) Customer tag number can be engraved on standard stainless steel name plate. If extra tag plate is required, select "Yes"

Note 5: (*5) Treatment; standard

Note 7: (*7) Not available for 10th digit code "B" to "C".

Note 8: (*8) Available for 4th digit code "5", "S".

Note 10: (*10) Available for 4th digit code "6", "8", "T", "W".

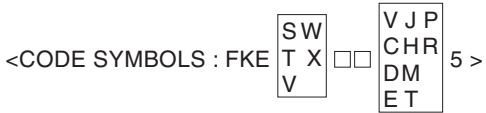
Note 11: (*11) Available for 4th digit code "6", "T".

Digit	Description	Note	1	2	3	4	5	6	7	8	9	10	11	12	13	14	15	21	← Digit No. of code
14	<O-ring, Gasket and Teflon membrane> Teflon (gasket) Teflon (gasket) and Teflon membrane 5th digit code "0", "2", "4", "6", "8", "A", "C", "E", "G", "J", "M", "R", "S", "T", "V", "X" and 11th digit code "Y" are available. 13th digit code "H", "J", "S", "T", "K" are not available.		F	K	E					5							B D		
15	<Bolt/nut> (* 12) Cr-Mo alloy hexagon socket head cap screw/carbon steel nut Cr-Mo alloy hexagon bolt/carbon steel nut 304 stainless steel bolt /304 stainless steel nut 316 stainless steel bolt /316 stainless steel nut	Note 12															A B E U		
21	<Fixed code>(* 6)	Note 6																	Z

Note 6: (*6) In case of hazardous location type, tag plate is made by Fuji Electric Systems Co., LTD.

Note 12: (*12) If case of tropical use, select stainless bolts and nuts.

OUTLINE DIAGRAM (Unit:mm)



NOTE) The measurements "t" will be added 2mm to each measurements in case of 11th digit of E,F,G,H.

5th digit of the code symbols	φD	φE	φF	φG	φH±1	NOTE1 t	P	N-φh	FLANGE
O, A, S	185	150	126	100	73	38	116	8-19	JIS-10K-80A
M	200	160	126	100	73	42	116	8-23	JIS-20K-80A
2, C	210	170	126	100	73	48	116	8-23	JIS-30K-80A
1, B	210	175	151	103	96	38	141	8-19	JIS-10K-100A
3, D	240	195	151	103	96	52	141	8-25	JIS-30K-100A
4, E, T	191	152.5	126	100	73	44	116	4-20	ANSI 150LB 3B
6, G, V	210	168	126	100	73	49	116	8-23	ANSI 300LB 3B
R, X	210	168	126	100	73	52	116	8-23	ANSI 600LB 3B
5, F, U	229	190.5	151	103	96	44	141	8-20	ANSI 150LB 4B
7, H, W	254	200	151	103	96	52	141	8-23	ANSI 300LB 4B
8, J	200	160	126	100	73	44	116	8-18	DIN PN40 DN80
9, K	220	180	151	103	96	40	141	8-18	DIN PN16 DN100

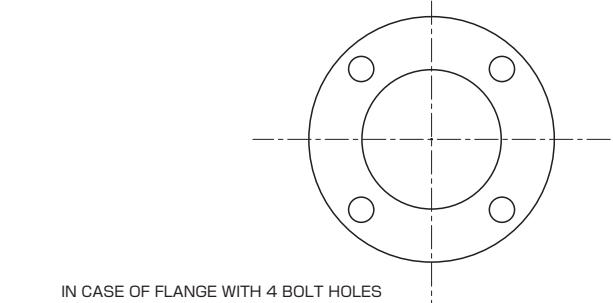
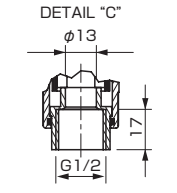
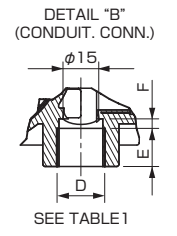
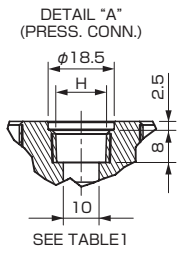
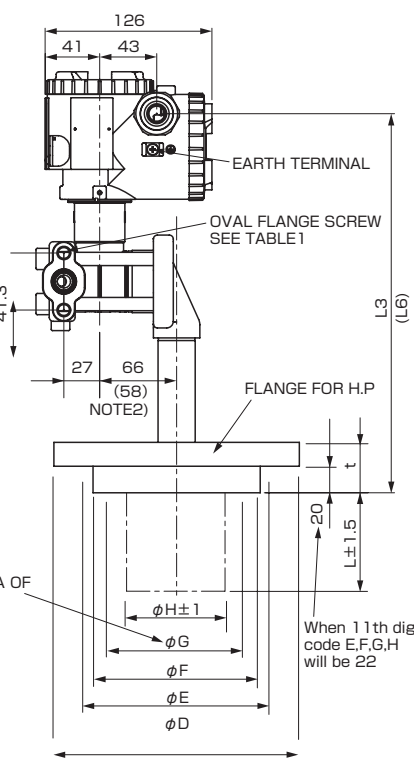
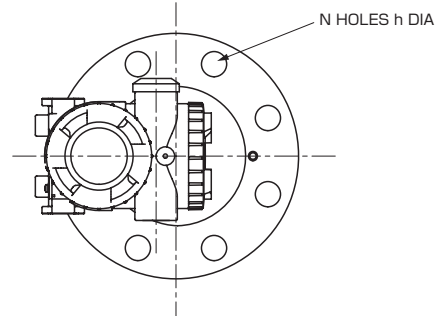
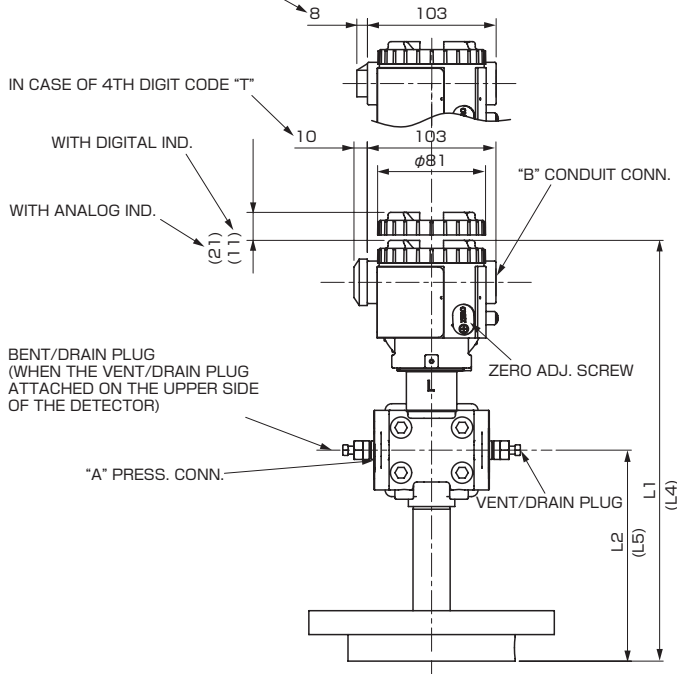
4th digit of the code symbols	conduit conn.			Press. Conn.	Oval flange screw
	D	E	F		
S	G1/2	18	2	Rc 1/4	7/16-20UNF SCREW DEPTH15
T	1/2-14NPT	16	4	1/4-18NPT	7/16-20UNF SCREW DEPTH15
V	Pg13.5	10.5	4.5	1/4-18NPT	M10 SCREW DEPTH15
W	M20x1.5	16	4	1/4-18NPT	M10 SCREW DEPTH15
X	Pg13.5	10.5	4.5	1/4-18NPT	7/16-20UNF SCREW DEPTH15

TABLE 1

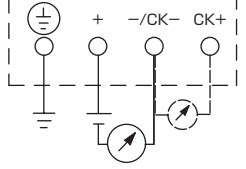
11th digit of the code symbols	L±1.5	MASS APPROX. (kg)	L1	L2	L3	NOTE2 L4	L5	L6
Y	0	10.2 ~ 13.7	309	151	278	320	159	289
A, E	50	10.7 ~ 17.7	304	146	273	315	154	284
B, F	100	11.2 ~ 16.2						
C, G	150	11.7 ~ 16.7						
D, H	200	12.2 ~ 19.2						

L1 to L6 will be added 2mm to each measurement in case of 11th digit E,F,G,H.

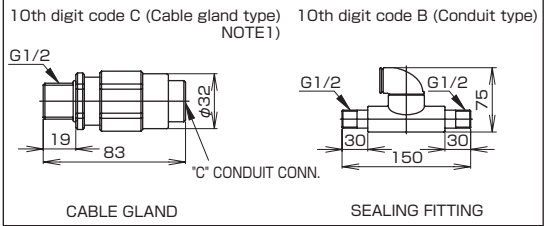
IN CASE OF 4TH DIGIT CODE "S, V, W, X"



CONNECTION DIAGRAM

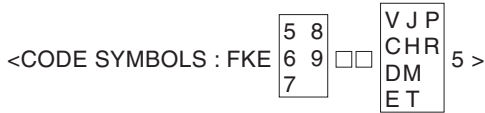


OPTION PARTS FOR FLAMEPROOF OF TIIS (JAPAN)



NOTE1) IN CASE OF 10TH CODE "C", φ11 CABLE IS SUITBLE.
NOTE2) WHEN THE 7TH DIGIT OF THE CODE SYMBOLS "H,M,T"

OUTLINE DIAGRAM (Unit:mm)



NOTE) The measurements "t" will be added 2mm to each measurements in case of 11th digit of E,F,G,H.

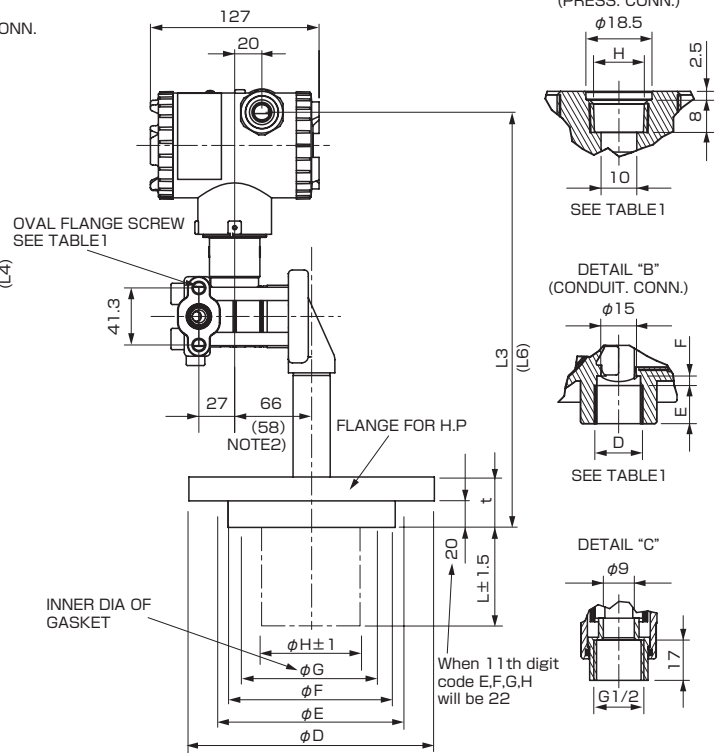
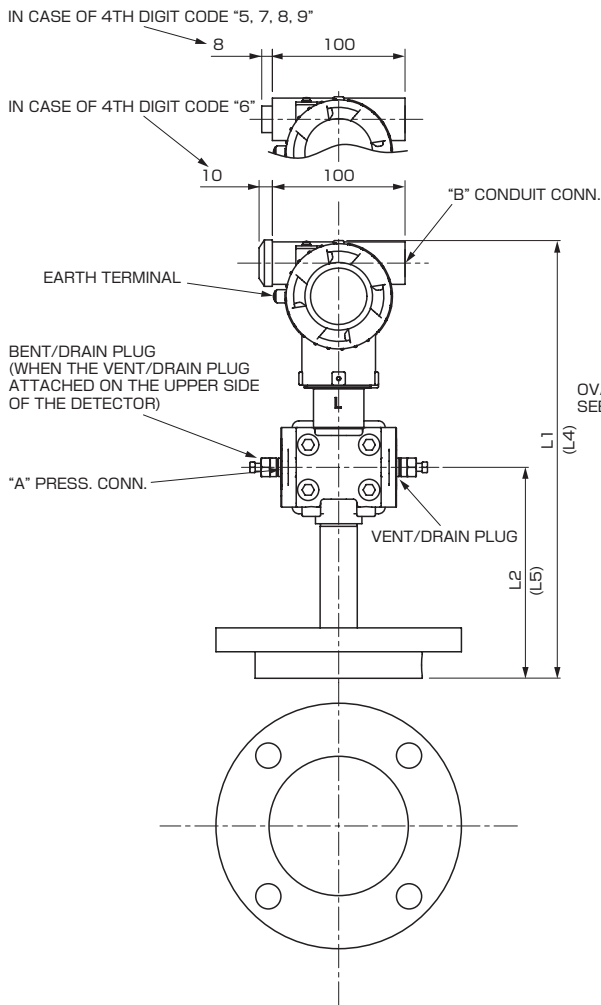
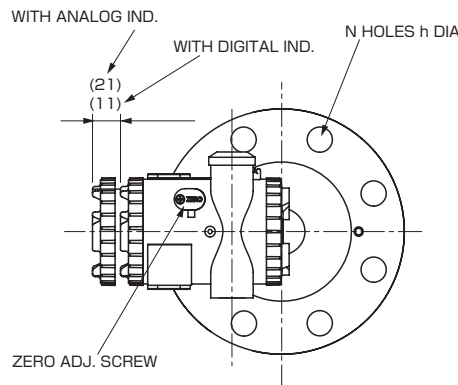
5th digit of the code symbols	φD	φE	φF	φG	φH±1	NOTE1 t	P	N-φh	FLANGE
0, A, S	185	150	126	100	73	38	116	8-19	JIS-10K-80A
M	200	160	126	100	73	42	116	8-23	JIS-20K-80A
2, C	210	170	126	100	73	48	116	8-23	JIS-30K-80A
1, B	210	175	151	103	96	38	141	8-19	JIS-10K-100A
3, D	240	195	151	103	96	52	141	8-25	JIS-30K-100A
4, E, T	191	152.5	126	100	73	44	116	4-20	ANSI 150LB 3B
6, G, V	210	168	126	100	73	49	116	8-23	ANSI 300LB 3B
R, X	210	168	126	100	73	52	116	8-23	ANSI 600LB 3B
5, F, U	229	190.5	151	103	96	44	141	8-20	ANSI 150LB 4B
7, H, W	254	200	151	103	96	52	141	8-23	ANSI 300LB 4B
8, J	200	160	126	100	73	44	116	8-18	DIN PN40 DN80
9, K	220	180	151	103	96	40	141	8-18	DIN PN16 DN100

4th digit of the code symbols	conduit conn.			Press. Conn.		Oval flange screw
	D	E	F	H		
5	G1/2	18	2	Re 1/4		7/16-20UNF SCREW DEPTH15
6	1/2-14NPT	16	4	1/4-18NPT		7/16-20UNF SCREW DEPTH15
7	Pg13.5	10.5	4.5	1/4-18NPT		M10 SCREW DEPTH15
8	M20×1.5	16	4	1/4-18NPT		M10 SCREW DEPTH15
9	Pg13.5	10.5	4.5	1/4-18NPT		7/16-20UNF SCREW DEPTH15

TABLE 1

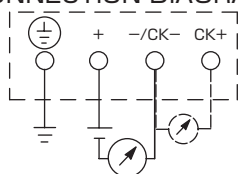
11th digit of the code symbols	L±1.5	MASS APPROX. (kg)	L1	L2	L3	NOTE2		
						L4	L5	L6
Y	0	10.2 ~ 13.7	322	151	305	333	159	316
A, E	50	10.7 ~ 17.7						
B, F	100	11.2 ~ 18.2	317	146	300	328	154	311
C, G	150	11.7 ~ 18.7						
D, H	200	12.2 ~ 19.2						

L1 to L6 will be added 2mm to each measurement in case of 11th digit E,F,G,H.

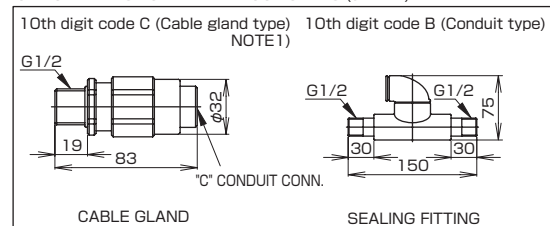


IN CASE OF FLANGE WITH 4 BOLT HOLES

CONNECTION DIAGRAM



OPTION PARTS FOR FLAMEPROOF OF THIS (JAPAN)



NOTE1) IN CASE OF 10TH CODE "C", φ11 CABLE IS SUITBLE.
NOTE2) WHEN THE 7TH DIGIT OF THE CODE SYMBOLS "H,M,T"

OUTLINE DIAGRAM (Unit:mm)

<CODE SYMBOLS : FKE

SW	
T X	
V	

B
L
U

 5 >

NOTE) The measurements "t" will be added 2mm to each measurements in case of 11th digit of E,F,G,H.

5th digit of the code symbols	φD	φE	φF	φG	φH±1	(NOTE) t	P	N-φh	FLANGE
0, A, S	185	150	126	100	73	38	116	8-19	JIS-10K-80A
M	200	160	126	100	73	42	116	8-23	JIS-20K-80A
2, C	210	170	126	100	73	48	116	8-23	JIS-30K-80A
1, B	210	175	151	103	96	38	141	8-19	JIS-10K-100A
3, D	240	195	151	103	96	52	141	8-25	JIS-30K-100A
4, E, T	191	152.5	126	100	73	44	116	4-20	ANSI 150LB 3B
6, G, V	210	168	126	100	73	49	116	8-23	ANSI 300LB 3B
R, X	210	168	126	100	73	52	116	8-23	ANSI 600LB 3B
5, F, U	229	190.5	151	103	96	44	141	8-20	ANSI 150LB 4B
7, H, W	254	200	151	103	96	52	141	8-23	ANSI 300LB 4B
8, J	200	160	126	100	73	44	116	8-18	DIN PN40 DN80
9, K	220	180	151	103	96	40	141	8-18	DIN PN16 DN100

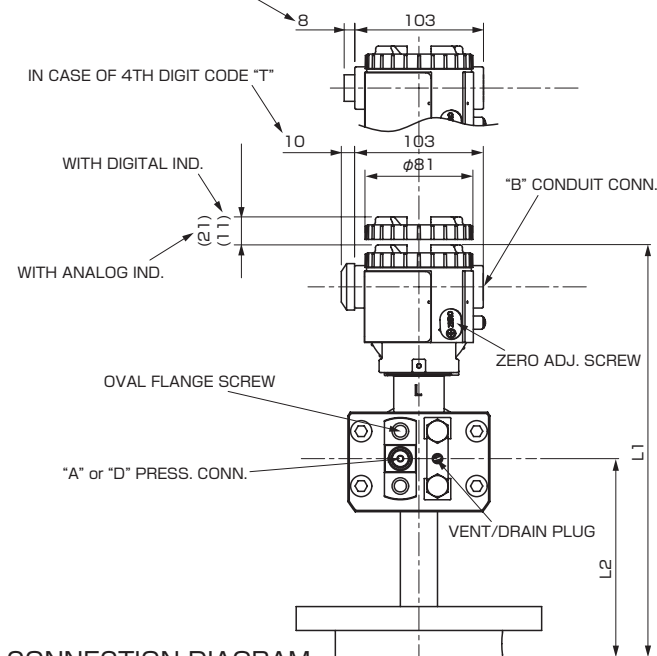
4th digit of the code symbols	conduit conn.			Oval flange screw
	D	E	F	
S	G1/2	18	2	7/16-20UNF SCREW DEPTH15
T	1/2-14NPT	16	4	7/16-20UNF SCREW DEPTH15
V	Pg13.5	10.5	4.5	M10 SCREW DEPTH15
W	M20×1.5	16	4	M10 SCREW DEPTH15
X	Pg13.5	10.5	4.5	7/16-20UNF SCREW DEPTH15

TABLE 1

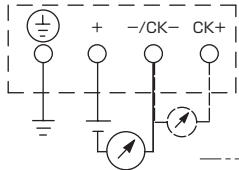
11th digit of the code symbols	L±1.5	MASS APPROX. (kg)	L1	L2	L3
Y	0	11.3 ~ 14.8	311	150	280
A, E	50	11.8 ~ 18.8			
B, F	100	12.3 ~ 19.3	305	144	274
C, G	150	12.8 ~ 19.8			
D, H	200	13.3 ~ 20.3			

L1 to L3 will be added 2mm to each measurement in case of 11th digit E,F,G,H.

IN CASE OF 4TH DIGIT CODE "S, V, W, X"



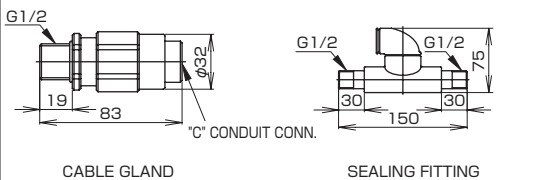
CONNECTION DIAGRAM



IN CASE OF FLANGE WITH 4 BOLT HOLES

OPTION PARTS FOR FLAMEPROOF OF THIS (JAPAN)

10th digit code C (Cable gland type) 10th digit code B (Conduit type) NOTE1)



NOTE1) IN CASE OF 10TH CODE "C", φ11 CABLE IS SUITBLE.

OUTLINE DIAGRAM (Unit:mm)

<CODE SYMBOLS : FKE

5	8
6	9
7	

B
L
U

 5 >

NOTE) The measurements "t" will be added 2mm to each measurements in case of 11th digit of E,F,G,H.

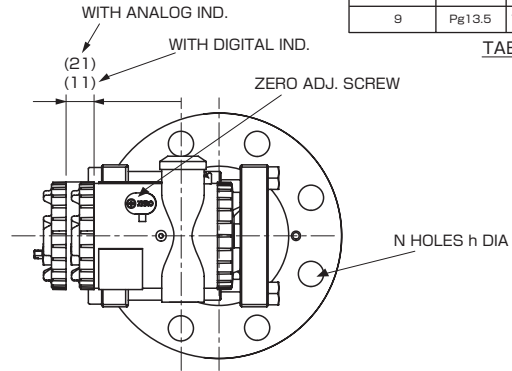
5th digit of the code symbols	φD	φE	φF	φG	φH±1	NOTE t	P	N-φh	FLANGE
0, A, S	185	150	126	100	73	38	116	8-19	JIS-10K-80A
M	200	160	126	100	73	42	116	8-23	JIS-20K-80A
2, C	210	170	126	100	73	48	116	8-23	JIS-30K-80A
1, B	210	175	151	103	96	38	141	8-19	JIS-10K-100A
3, D	240	195	151	103	96	52	141	8-25	JIS-30K-100A
4, E, T	191	152.5	126	100	73	44	116	4-20	ANSI 150LB 3B
6, G, V	210	168	126	100	73	49	116	8-23	ANSI 300LB 3B
R, X	210	168	126	100	73	52	116	8-23	ANSI 600LB 3B
5, F, U	229	190.5	151	103	96	44	141	8-20	ANSI 150LB 4B
7, H, W	254	200	151	103	96	52	141	8-23	ANSI 300LB 4B
8, J	200	160	126	100	73	44	116	8-18	DIN PN40 DN80
9, K	220	180	151	103	96	40	141	8-18	DIN PN16 DN100

4th digit of the code symbols	conduit conn.			Oval flange screw
	D	E	F	
5	G1/2	18	2	7/16-20UNF SCREW DEPTH15
6	1/2-14NPT	16	4	7/16-20UNF SCREW DEPTH15
7	Pg13.5	10.5	4.5	M10 SCREW DEPTH15
8	M20x1.5	16	4	M10 SCREW DEPTH15
9	Pg13.5	10.5	4.5	7/16-20UNF SCREW DEPTH15

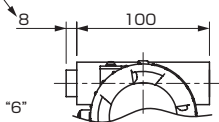
TABLE 1

11th digit of the code symbols	L±1.5	MASS APPROX. (kg)	L1	L2	L3
Y	0	11.3 ~ 14.8	324	150	307
A, E	50	11.8 ~ 18.8			
B, F	100	12.3 ~ 19.3	318	144	301
C, G	150	12.8 ~ 19.8			
D, H	200	13.3 ~ 20.3			

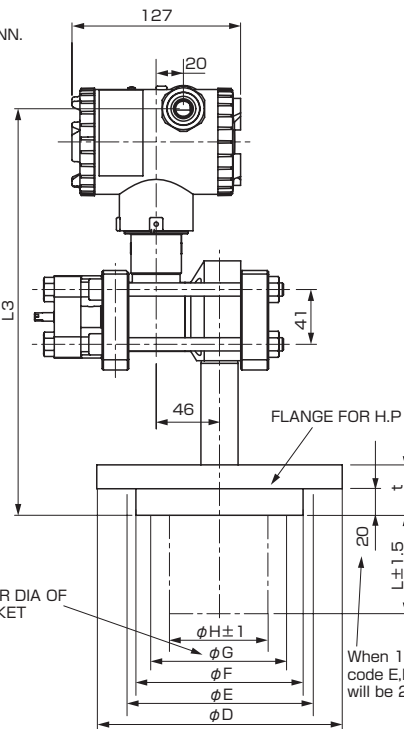
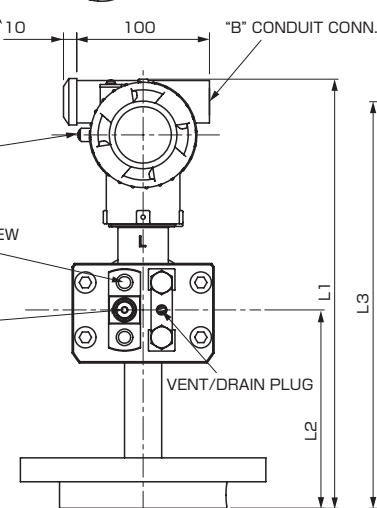
L1 to L3 will be added 2mm to each measurement in case of 11th digit E,F,G,H.



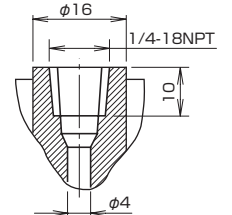
IN CASE OF 4TH DIGIT CODE "5, 7, 8, 9"



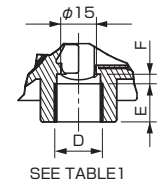
IN CASE OF 4TH DIGIT CODE "6"



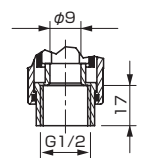
DETAIL "A" (PRESS. CONN.) 4th digit code "6,7,8,9"



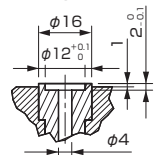
DETAIL "B" (CONDUIT. CONN.)



DETAIL "C"

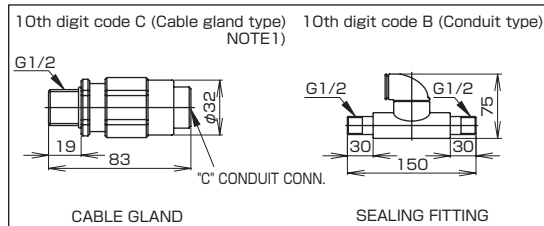


DETAIL "D" (PRESS. CONN.) 4th digit code "5"



IN CASE OF FLANGE WITH 4 BOLT HOLES

OPTION PARTS FOR FLAMEPROOF OF TIIS (JAPAN)



NOTE1) IN CASE OF 10TH CODE "C", φ11 CABLE IS SUITBLE.

CONNECTION DIAGRAM

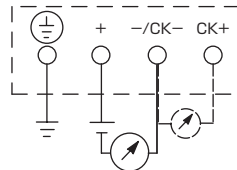


TABLE 2

Authorities	Intrinsic safety																					
ATEX	Ex II 1 G Ex ia IIC T5 Tamb = -40°C to +50°C Ex ia IIC T4 Tamb = -40°C to +70°C Entity Parameters: Ui=28V, li=94.3mA, Pi=0.66W, Ci=26nF (Without Arrester), Li=0.6mH (Without analog indicator), Ci=36nF (With Arrester), Li=0.7mH (With analog indicator)																					
Factory Mutual	Class I II III Div.1 Groups A, B, C, D, E, F, G T4 Entity Type 4X <table border="1"> <thead> <tr> <th colspan="2">Model code</th> <th>Tamb</th> </tr> <tr> <th>9th digit</th> <th>13th digit</th> <th></th> </tr> </thead> <tbody> <tr> <td>A,B,D</td> <td>Y,G,H,J,S,T,K</td> <td>-40°C to +85°C</td> </tr> <tr> <td>L,P,1,2</td> <td>Y,G,H,J,S,T,K</td> <td>-20°C to +80°C</td> </tr> <tr> <td>Q,S,4,5</td> <td>Y,G,H,J,S,T,K</td> <td>-20°C to +60°C</td> </tr> <tr> <td>E,F,H</td> <td>Y,G,H,J,S,T,K</td> <td>-40°C to +60°C</td> </tr> <tr> <td>-</td> <td>W,A,D</td> <td>-10°C to +60°C</td> </tr> </tbody> </table> Entity Parameters: Vmax=28V, Imax=94.3mA, Pi=0.66W, Ci=35.98nF, Li=0.694mH	Model code		Tamb	9th digit	13th digit		A,B,D	Y,G,H,J,S,T,K	-40°C to +85°C	L,P,1,2	Y,G,H,J,S,T,K	-20°C to +80°C	Q,S,4,5	Y,G,H,J,S,T,K	-20°C to +60°C	E,F,H	Y,G,H,J,S,T,K	-40°C to +60°C	-	W,A,D	-10°C to +60°C
Model code		Tamb																				
9th digit	13th digit																					
A,B,D	Y,G,H,J,S,T,K	-40°C to +85°C																				
L,P,1,2	Y,G,H,J,S,T,K	-20°C to +80°C																				
Q,S,4,5	Y,G,H,J,S,T,K	-20°C to +60°C																				
E,F,H	Y,G,H,J,S,T,K	-40°C to +60°C																				
-	W,A,D	-10°C to +60°C																				
CSA	Class I Div.1 Groups A, B, C, D Class II Div.1 Groups E, F, G Class III Div.1 Temp Code T5 Tamb max = +50°C Temp Code T4 Tamb max = +70°C Entity Parameters: Vmax=28V, Imax=94.3mA, Ci=25nF (Without Arrester), Ci=36nF (With Arrester), Li=0.6mH (Without analog meter), Li=0.7mH (With analog meter)																					
TIIS	Ex ia IIC T4 Tamb max = +60°C Entity Parameters: Ui=28V, li=94.3mA, Pi=0.66W, Ci=38.4nF, Li=0.694mH																					
IECEX Scheme	Ex ia IIC T4 Tamb = -40°C to +70°C Ex ia IIC T5 Tamb = -40°C to +50°C Entity Parameters: Ui=28V, li=94.3mA, Pi=0.66W, Ci=26nF (Without Arrester), Li=0.6mH (Without analog indicator), Ci=36nF (With Arrester), Li=0.7mH (With analog indicator)																					
NEPSI	Ex ia IIC T4 Ex d IIB+H ₂ T6 / Ex ia IIC T4 <table border="1"> <thead> <tr> <th colspan="2">Model code</th> <th>Tamb</th> </tr> <tr> <th>9th digit</th> <th>13th digit</th> <th></th> </tr> </thead> <tbody> <tr> <td>A,B,D</td> <td>Y,G,H,J,S,T,K</td> <td>-40°C to +85°C</td> </tr> <tr> <td>L,P,1,2</td> <td>Y,G,H,J,S,T,K</td> <td>-20°C to +80°C</td> </tr> <tr> <td>Q,S,4,5</td> <td>Y,G,H,J,S,T,K</td> <td>-20°C to +60°C</td> </tr> <tr> <td>E,F,H</td> <td>Y,G,H,J,S,T,K</td> <td>-40°C to +60°C</td> </tr> <tr> <td>-</td> <td>W,A,D</td> <td>-10°C to +60°C</td> </tr> </tbody> </table> Entity Parameters: Ui=42.4V, li=113mA, Pi=1W, Ci=35.98nF, Li=0.694mH	Model code		Tamb	9th digit	13th digit		A,B,D	Y,G,H,J,S,T,K	-40°C to +85°C	L,P,1,2	Y,G,H,J,S,T,K	-20°C to +80°C	Q,S,4,5	Y,G,H,J,S,T,K	-20°C to +60°C	E,F,H	Y,G,H,J,S,T,K	-40°C to +60°C	-	W,A,D	-10°C to +60°C
Model code		Tamb																				
9th digit	13th digit																					
A,B,D	Y,G,H,J,S,T,K	-40°C to +85°C																				
L,P,1,2	Y,G,H,J,S,T,K	-20°C to +80°C																				
Q,S,4,5	Y,G,H,J,S,T,K	-20°C to +60°C																				
E,F,H	Y,G,H,J,S,T,K	-40°C to +60°C																				
-	W,A,D	-10°C to +60°C																				

Authorities	Flameproof																					
ATEX	Ex II 2 GD Ex d IIC T6 IP66/67 T85°C Tamb = -40°C to +65°C Ex d IIC T5 IP66/67 T100°C Tamb = -40°C to +85°C																					
Factory Mutual	Class I Div.1 Groups B, C, D T6 Type 4X Class II III Div.1 Groups E, F, G T6 Type 4X Tamb max = +60°C																					
CSA	Class I Div.1 Groups C, D Class II Div.1 Groups E, F, G Class III Div.1 Note) "Seal Not Required" enclosure is allowed.																					
TIIS	Ex do IIB+H ₂ T4 Tamb max = +60°C Maximum process temp. = +120°C																					
IECEX Scheme	Ex d IIC T5 IP66/67 Tamb = -40°C to +85°C Ex d IIC T6 IP66/67 Tamb = -40°C to +65°C																					
NEPSI	Ex d IIB+H ₂ T6 Tamb = -40°C to +60°C																					
Authorities	Type n Nonincendive																					
ATEX	Ex II 3 GD EEx nL IIC T5 Tamb = -40°C to +50°C EEx nL IIC T4 Tamb = -40°C to +70°C Specific Parameters: Model without arrester: Ui=42.4V, li=113mA, Pi=1W, Ci=25.18nF, Li=0.694mH Model with arrester: Ui=32V, li=113mA, Pi=1W, Ci=35.98nF, Li=0.694mH EEx nAL IIC T5 Tamb = -40°C to +50°C EEx nAL IIC T4 Tamb = -40°C to +70°C Specific Parameters: Model without arrester: Umax=42.4V, Imax=113mA, Pmax=1W Model with arrester: Umax=32V, Imax=113mA, Pmax=1W																					
Factory Mutual (pending)	Class I II III Div.2 Groups A, B, C, D, F, G T4 Entity Type 4X <table border="1"> <thead> <tr> <th colspan="2">Model code</th> <th>Tamb</th> </tr> <tr> <th>9th digit</th> <th>13th digit</th> <th></th> </tr> </thead> <tbody> <tr> <td>A,B,D</td> <td>Y,G,H,J,S,T,K</td> <td>-40°C to +85°C</td> </tr> <tr> <td>L,P,1,2</td> <td>Y,G,H,J,S,T,K</td> <td>-20°C to +80°C</td> </tr> <tr> <td>Q,S,4,5</td> <td>Y,G,H,J,S,T,K</td> <td>-20°C to +60°C</td> </tr> <tr> <td>E,F,H</td> <td>Y,G,H,J,S,T,K</td> <td>-40°C to +60°C</td> </tr> <tr> <td>-</td> <td>W,A,D</td> <td>-10°C to +60°C</td> </tr> </tbody> </table>	Model code		Tamb	9th digit	13th digit		A,B,D	Y,G,H,J,S,T,K	-40°C to +85°C	L,P,1,2	Y,G,H,J,S,T,K	-20°C to +80°C	Q,S,4,5	Y,G,H,J,S,T,K	-20°C to +60°C	E,F,H	Y,G,H,J,S,T,K	-40°C to +60°C	-	W,A,D	-10°C to +60°C
Model code		Tamb																				
9th digit	13th digit																					
A,B,D	Y,G,H,J,S,T,K	-40°C to +85°C																				
L,P,1,2	Y,G,H,J,S,T,K	-20°C to +80°C																				
Q,S,4,5	Y,G,H,J,S,T,K	-20°C to +60°C																				
E,F,H	Y,G,H,J,S,T,K	-40°C to +60°C																				
-	W,A,D	-10°C to +60°C																				
CSA	Class I Div.2 Groups A, B, C, D Class II Div.2 Groups E, F, G Class III Div.2 Temp Code T5 Tamb max = +50°C Temp Code T4 Tamb max = +70°C Entity Parameters: Vmax=28V, Ci=25.18nF (Without Arrester), Ci=35.98nF (With Arrester), Li=0.694mH																					

* Specification is subject to change without notice.



Head Office : Shiba Toho Building, 1-7-24 Shibakoen, Minato-ku, Tokyo 105-8558
 Tel : 03-3431-1625 (KEY) ; Fax : 03-3433-4922
 e-mail : overseas.sales@tokyokeiso.co.jp ; URL : http://www.tokyokeiso.co.jp

