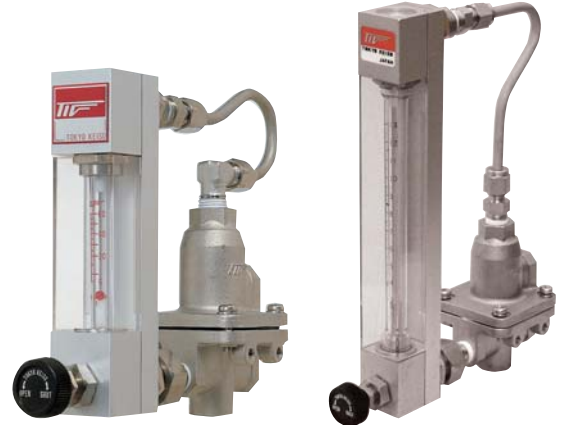


C Series PURGE SET FLOWMETER WITH CONSTANT FLOW VALVE

GENERAL

C series Constant Flow Valves keep flow rate of gases or liquids even when the supply or load pressure changes. Control valve with diaphragm automatically acts following the change of pressure. They are normally delivered together with flowmeter as a "Purge set".

Primary(Inlet) pressure variation control type and Secondary(Outlet) pressure variation control type are ready to meet all possible applications.



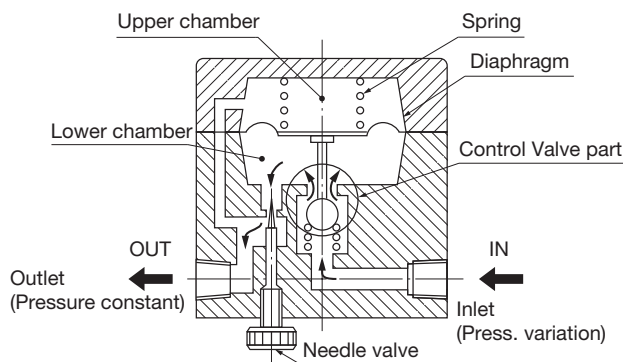
LINEUP

Type	C-11 P ₁ (INLET) Variation C-12 P ₂ (OUTLET) Variation	C-21 P ₁ (INLET) Variation C-22 P ₂ (OUTLET) Variation	C-31 P ₁ (INLET) Variation C-32 P ₂ (OUTLET) Variation	C-41 P ₁ (INLET) Variation C-42 P ₂ (OUTLET) Variation
Measuring Fluid	Gases only	Gases and liquids	Gases and liquids	Gases and liquids
Max. Fluid Press. (MPa)	0.7	1	0.8	0.8
Max. Fluid Temp. (°C)	120	120	120	120
Controllable Dp range (MPa)	C-11 0.03~0.3 C-12 0.05~0.3	0.06~0.4	0.1~0.5	0.1~0.6
Control Accuracy (%F.S.)	±3	±5	±5	±5
Process connection	Rc 1/8	Rc 1/4	Rc 3/8	Rc 1/2
Approx. MASS (kg)	0.2	0.9	2.3	8.0

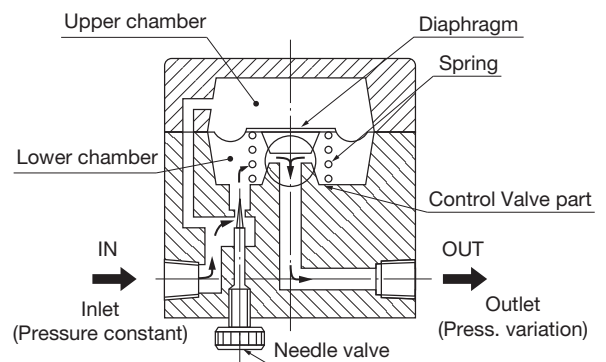
It is general data, and the maximum temperature may change by terms of use and environment.

OPERATION PRINCIPLE

In the PRIMARY (INLET) PRESSURE VARIATION CONTROL TYPE, the fluid, of which inlet pressure varies, is introduced from IN to the lower chamber of the C series Constant Flow Valve. The load pressure (Secondary pressure) is connected to the upper chamber. The differential pressure between the lower chamber and the upper chamber is always constant thanks to the function of the Spring and the Diaphragm. The differential pressure across the needle valve is kept always constant and the flow rate of the fluid is proportional only to the opening of needle valve. The opposite action is taken for SECONDARY (OUTLET) PRESSURE VARIATION CONTROL TYPE and the flow rate is kept also constant even when the load pressure changes.



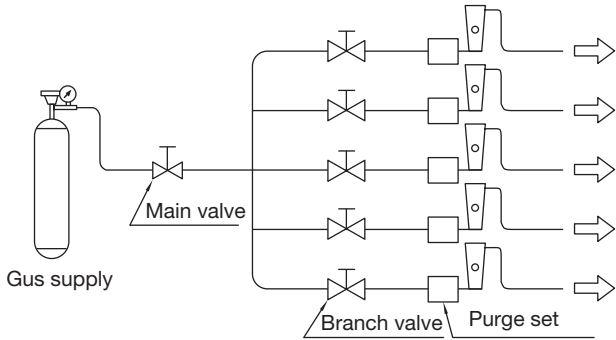
PRIMARY (INLET) PRESSURE VARIATION CONTROL TYPE (C-□1)



SECONDARY (OUTLET) PRESSURE VARIATION CONTROL TYPE (C-□2)

APPLICATIONS

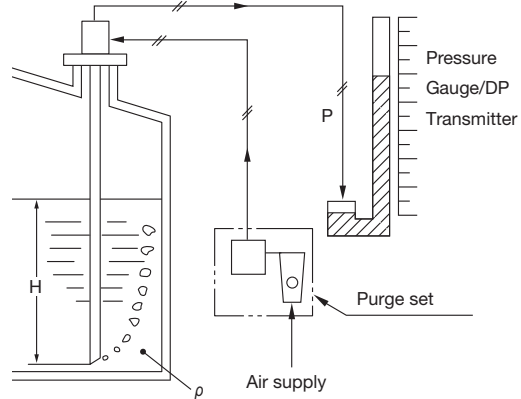
● SUPPLY PRESSURE VARIATION



As shown above, in case one large supply line branches into several lines and the supply pressure changes because of stoppage of some branches. Primary Pressure Variation type Purge set will be suitable in keeping the purging volume of fluid.

Recommended Model of Purgeset:
CP-□1-□□□

● LEVEL MEASUREMENT

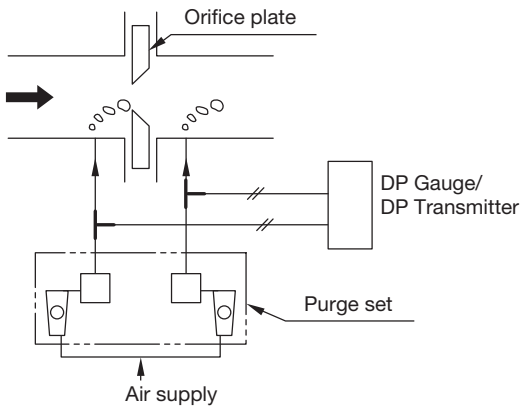


Liquid level in tanks is measured by the Back-pressure at the edge of bubbler tube. The outlet pressure at the tank bottom changes depending on the liquid level, and constant bubbling is required. Thus, Secondary Pressure Variation type purge set is used for this application. A DP transmitter is often connected to pressure line instead of pressure gauge for remote transmission.

Recommended Model of Purgeset:
CP-□2-□□□, CP-22-100-B

$$H = \frac{P}{\rho}$$

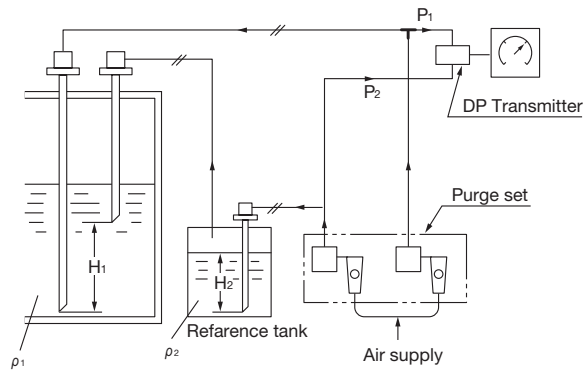
● PURGING FOR ORIFICE PLATE APPLICATION



For the measurement of flow rate of corrosive liquids and/or liquids with solids by orifice plate, an equal pressure purging both to Hi and Lo pressure parts so as not to introduce liquid and/or solids into DP Pressure lead pipe. Dual mount type purge set used.

Recommended Model of Purgeset:
CP-221-2A□

● DENSITY MEASUREMENT



For continuous measurement of density of liquid in tanks, Air purging system is used as shown above.

$$\rho_1 = \frac{(P_1 - P_2) + \rho_2 H_2}{H_1}$$

Recommended Model of Purgeset:
CP-221-2A□

C-1 TYPE

● STANDARD SPECIFICATION

MODEL IDENTIFICATION:

C-11 INLET PRESSURE VARIATION CONTROL TYPE

C-12 OUTLET PRESSURE VARIATION CONTROL TYPE

AVAILABLE FLOW RANGES:

GASES : Max. 3L/min (nor) (Air 0°C, 0MPa)

FLUID PRESS. : Max. 0.7MPa

FLUID TEMP. : Max. 120°C

It is general data, and the maximum temperature may change by terms of use and environment.

Min. Required DP : 0.03MPa (C-11)

0.05MPa (C-12)

Max. Controllable DP : 0.3MPa

CONTROL ACCURACY : ±3%(F.S.)

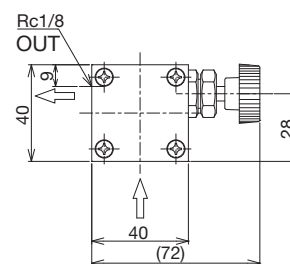
PROCESS CONNECTION: Rc1/8

MATERIAL CONSTRUCTION :

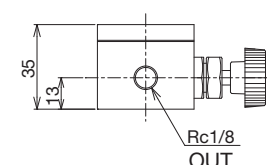
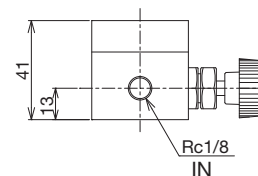
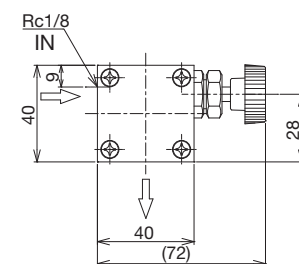
PART NAME	MATERIAL	
	STANDARD	OPTION
BODY	SUS304	SUS316
DIAPHRAGM	Chloroprene rubber (CR)	Fluoro rubber
SPRING	SUS304	SUS316
SEAL	Nitrile rubber (NBR)	Fluoro rubber

● DIMENTION OF CONSTANT FLOW VALVE UNIT

C-11



C-12

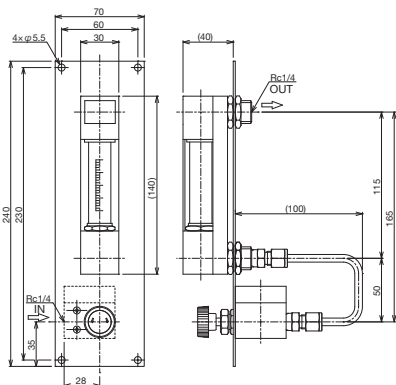


● EXAMPLES OF COMBINATION WITH FLOWMETER

INLET PRESSURE VARIATION CONTROL TYPE

CP-11-100

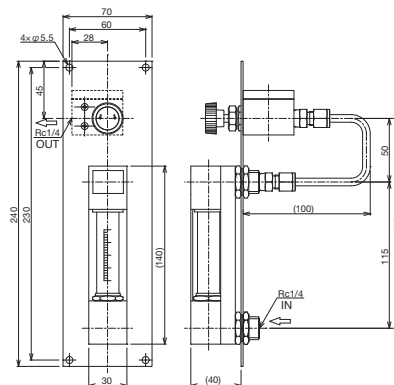
Possible Flow Ranges as PURGE SET
Air Min.10~100mL/min (nor)
(0°C, 0MPa) Max.0.3~3L/min (nor)



OUTLET PRESSURE VARIATION CONTROL TYPE

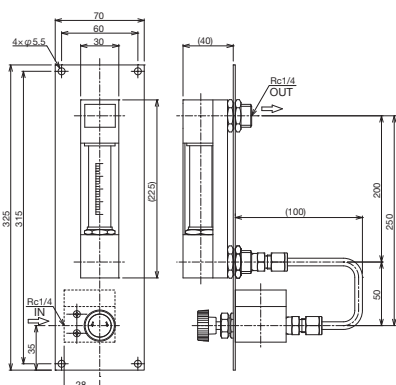
CP-12-100

Possible Flow Ranges as PURGE SET
Air Min.10~100mL/min (nor)
(0°C, 0MPa) Max.0.3~3L/min (nor)



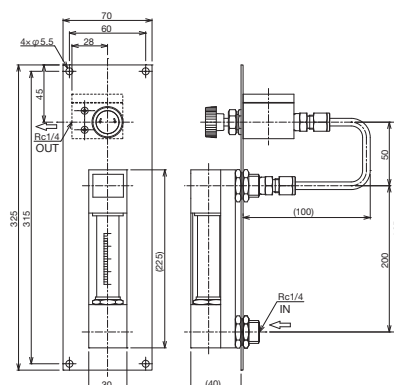
CP-11-200

Possible Flow Ranges as PURGE SET
Air Min.10~100mL/min (nor)
(0°C, 0MPa) Max.0.3~3L/min (nor)



CP-12-200

Possible Flow Ranges as PURGE SET
Air Min.10~100mL/min (nor)
(0°C, 0MPa) Max.0.3~3L/min (nor)



C-2 TYPE

● STANDARD SPECIFICATION

MODEL IDENTIFICATION:

- C-21 INLET PRESSURE VARIATION CONTROL TYPE
- C-22 OUTLET PRESSURE VARIATION CONTROL TYPE

AVAILABLE FLOW RANGES:

- LIQUIDS : Max. 2L/min. (Water Density 1.0g/cm³, Viscosity 1.0mPa·s)
- GASES : Max. 50L/min (nor) (Air 0°C, 0MPa)
- FLUID PRESS. : Max. 1MPa
- FLUID TEMP. : Max. 120°C

It is general data, and the maximum temperature may change by terms of use and environment.

- Min. Required DP : 0.06MPa
- Max. Controllable DP : 0.4MPa
- CONTROL ACCURACY : ±5%(F.S.)
- STANDARD PROCESS CONNECTION : Rc1/4

MATERIAL CONSTRUCTION :

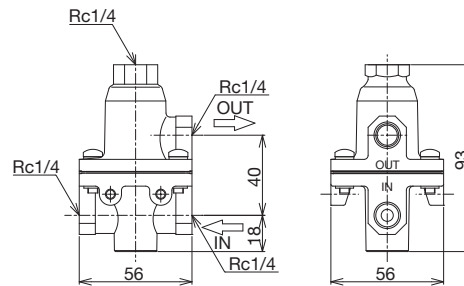
PART NAME	MATERIAL	
	STANDARD	OPTION
BODY	SCS14	—
DIAPHRAGM	* Chloroprene rubber (CR)	* Fluoro rubber
SPRING	SUS304	SUS316
SEAL	Nitrile rubber (NBR)	Fluoro rubber

* In the C-22 type, standard material for the diaphragm is fluoro rubber. Chloroprene rubber (CR) is optional.



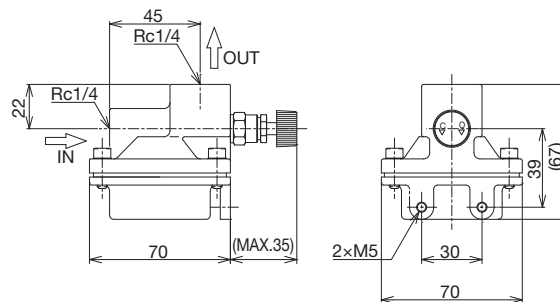
CP-21-100

● DIMENTION OF CONSTANT FLOW VALVE UNIT



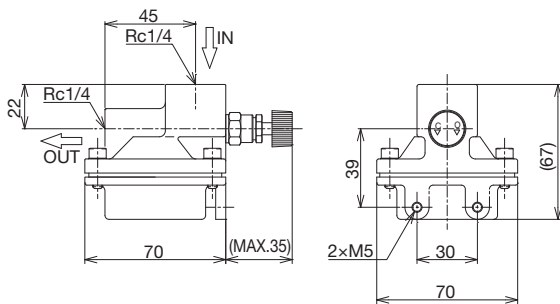
[Without valve]

C-21 TYPE



[With valve]

C-21 TYPE



C-22 TYPE

● EXAMPLES OF COMBINATION WITH FLOWMETER

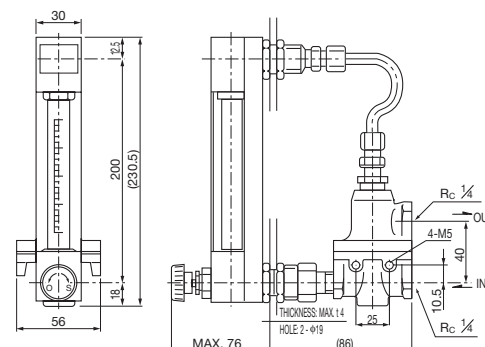
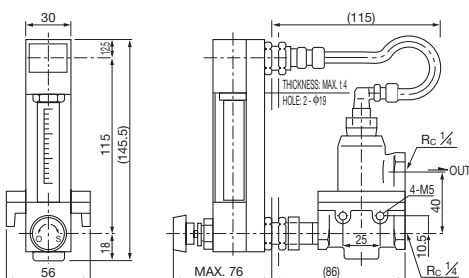
INLET PRESSURE VARIATION CONTROL TYPE (Also used for OUTLET PRESSURE VARIATION in liquid applications)

CP-21-100

Possible Flow Ranges as PURGE SET
 Water Min.5~50mL/min.
 Max.0.4~2L/min.
 Air Min.0.1~1L/min (nor)
 (0°C, 0MPa) Max.5~50L/min (nor)

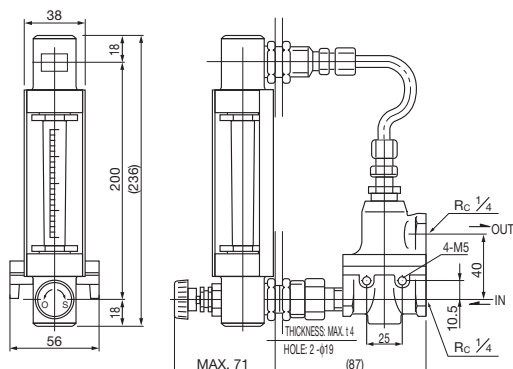
CP-21-200

Possible Flow Ranges as PURGE SET
 Water Min.7~70mL/min.
 Max.0.2~2L/min.
 Air Min.0.1~1L/min (nor)
 (0°C, 0MPa) Max.5~50L/min (nor)



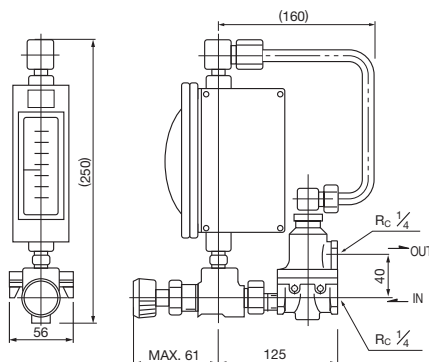
CP-21-400

Possible Flow Ranges as PURGE SET
 Water Min.7~70mL/min.
 Max.0.2~2L/min.
 Air Min.0.1~1L/min (nor)
 (0°C, 0MPa) Max.5~50L/min (nor)



CM-21-900

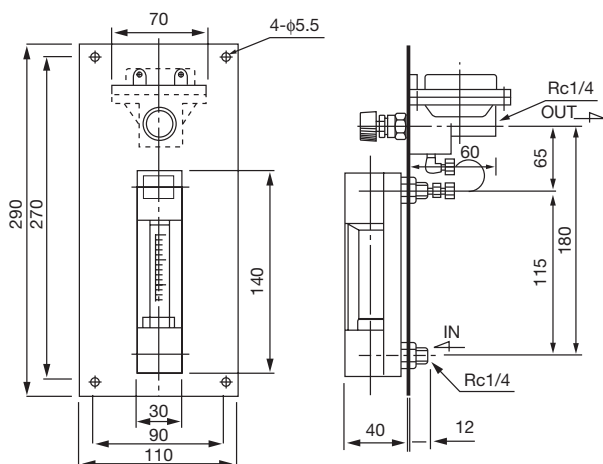
Possible Flow Ranges as PURGE SET
 Water Min.8~40mL/min.
 Max.0.2~2L/min.
 Air Min.0.2~1L/min (nor)
 (0°C, 0MPa) Max.6~60L/min (nor)



OUTLET PRESSURE VARIATION CONTROL TYPE

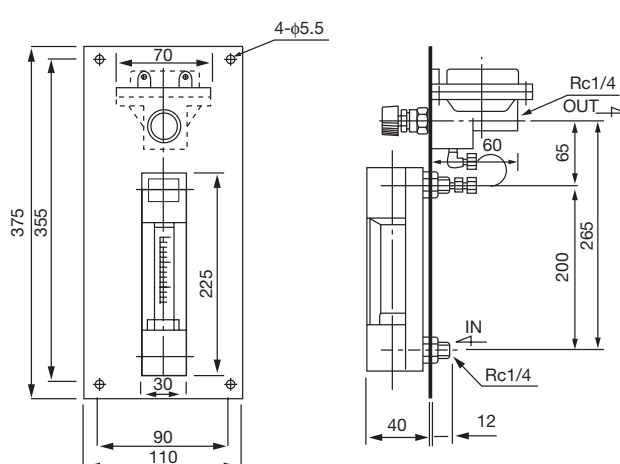
CP-22-100

Possible Flow Ranges as PURGE SET
 Air Min.0.1~1L/min (nor)
 (0°C, 0MPa) Max.5~50L/min (nor)



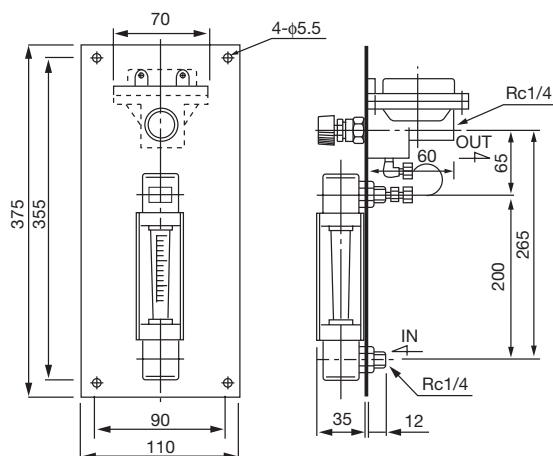
CP-22-200

Possible Flow Ranges as PURGE SET
 Air Min.0.1~1L/min (nor)
 (0°C, 0MPa) Max.5~50L/min (nor)



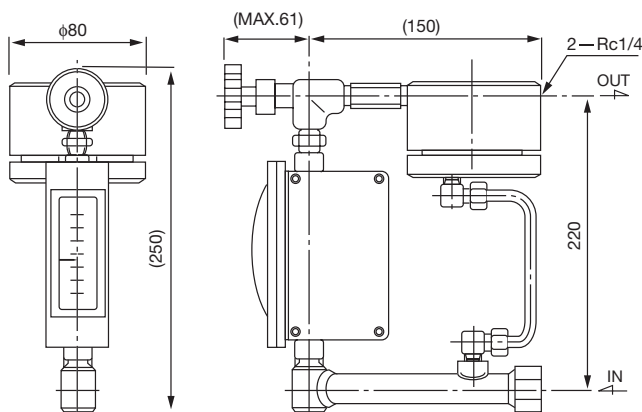
CP-22-400

Possible Flow Ranges as PURGE SET
 Air Min.0.1~1L/min (nor)
 (0°C, 0MPa) Max.5~50L/min (nor)



CM-22-900

Possible Flow Ranges as PURGE SET
 Air Min.0.2~1L/min (nor)
 (0°C, 0MPa) Max.6~60L/min (nor)



C-3 TYPE

● STANDARD SPECIFICATION

MODEL IDENTIFICATION:

C-31 INLET PRESSURE VARIATION CONTROL TYPE

C-32 OUTLET PRESSURE VARIATION CONTROL TYPE

AVAILABLE FLOW RANGES:

LIQUIDS : Max. 5L/min. (Water Density 1.0g/cm³, Viscosity 1.0mPa·s)

GASES : Max. 150L/min (nor) (Air 0°C, 0MPa)

FLUID PRESS. : Max. 0.8MPa

FLUID TEMP. : Max. 120°C

It is general data, and the maximum temperature may change by terms of use and environment.

Min. Required DP : 0.1MPa

Max. Controllable DP : 0.5MPa

CONTROL ACCURACY : ±5%(F.S.)

STANDARD PROCESS CONNECTION : Rc3/8

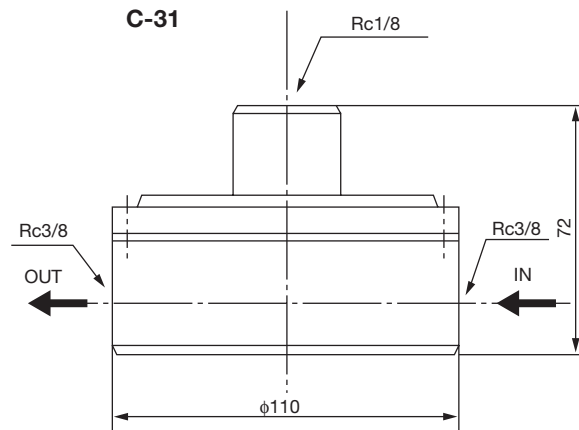
MATERIAL CONSTRUCTION :

PART NAME	MATERIAL	
	STANDARD	OPTION
BODY	SUS304	SUS316
DIAPHRAGM	Chloroprene rubber (CR)	Fluoro rubber
SPRING	SUS304	SUS316
SEAL	Nitrile rubber (NBR)	Fluoro rubber



CP-31-500

● DIMENTION OF CONSTANT FLOW VALVE UNIT



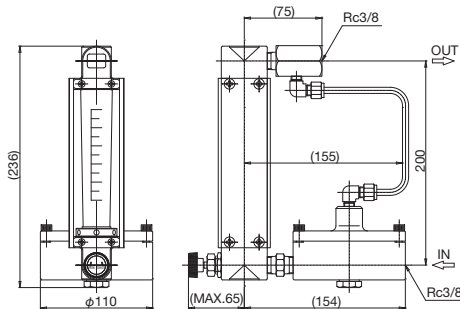
● EXAMPLES OF COMBINATION WITH FLOWMETER

INLET PRESSURE VARIATION CONTROL TYPE

(Also used for OUTLET PRESSURE VARIATION in liquid applications)

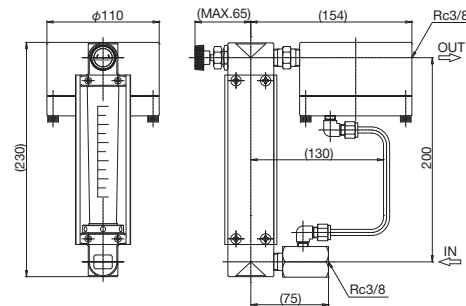
CP-31-500

Possible Flow Ranges as PURGE SET
 Water Min.0.2~2L/min.
 Max.0.5~5L/min.
 Air Min.5~50L/min (nor)
 (0°C, 0MPa) Max.15~150L/min (nor)



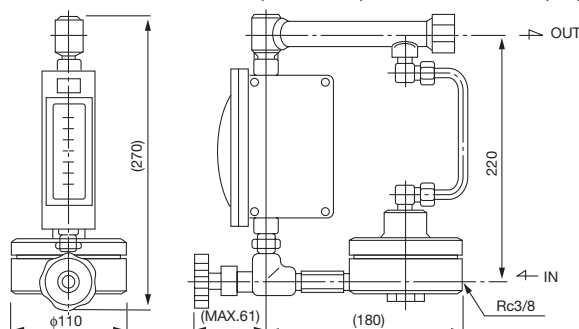
CP-32-500

Possible Flow Ranges as PURGE SET
 Air Min.5~50L/min (nor)
 (0°C, 0MPa) Max.15~150L/min (nor)



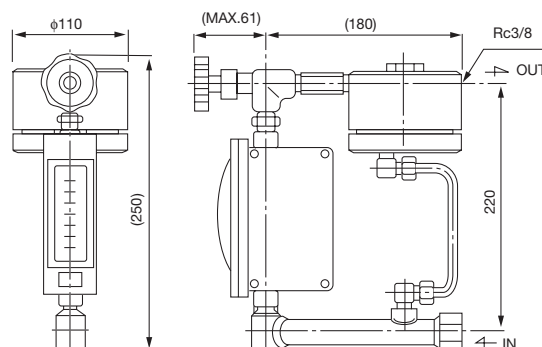
CM-31-900

Possible Flow Ranges as PURGE SET
 Water Min.0.2~2L/min.
 Max.0.5~5L/min.
 Air Min.6~60L/min (nor)
 (0°C, 0MPa) Max.15~150L/min (nor)



CM-32-900

Possible Flow Ranges as PURGE SET
 Air Min.6~60L/min (nor)
 (0°C, 0MPa) Max.15~150L/min (nor)



C-4 TYPE

● STANDARD SPECIFICATION

MODEL IDENTIFICATION:

C-41 INLET PRESSURE VARIATION CONTROL TYPE

C-42 OUTLET PRESSURE VARIATION CONTROL TYPE

AVAILABLE FLOW RANGES:

LIQUIDS : Max. 10L/min. (Water Density 1.0g/cm³,
Viscosity 1.0mPa·s)

GASES : Max. 300L/min (nor) (Air 0°C, 0MPa)

FLUID PRESS. : Max. 0.8MPa

FLUID TEMP. : Max. 120°C

It is general data, and the maximum temperature may change by terms of use and environment.

Min. Required DP : 0.1MPa

Max. Controllable DP : 0.6MPa

CONTROL ACCURACY : ±5%(F.S.)

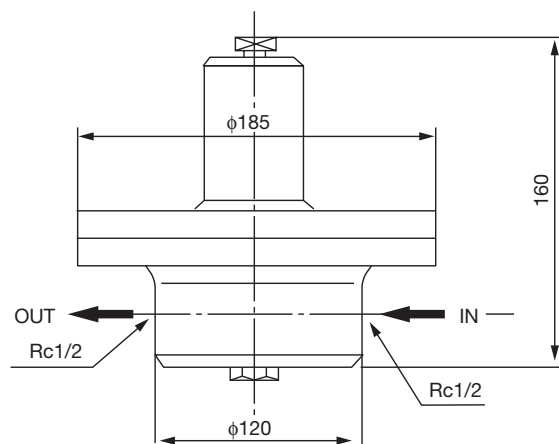
STANDARD PROCESS CONNECTION

: Rc1/2

MATERIAL CONSTRUCTION :

PART NAME	MATERIAL	
	STANDARD	OPTION
BODY	SUS304	SUS316
DIAPHRAGM	Chloroprene rubber (CR)	Fluoro rubber
SPRING	SUS304	SUS316
O-ring	Nitrile rubber (NBR)	Fluoro rubber

● DIMENTION OF CONSTANT FLOW VALVE UNIT



C-41

● EXAMPLES OF COMBINATION WITH FLOWMETER

INLET PRESSURE VARIATION CONTROL TYPE

(Also used for OUTLET PRESSURE VARIATION in liquid applications)

CP-41-500

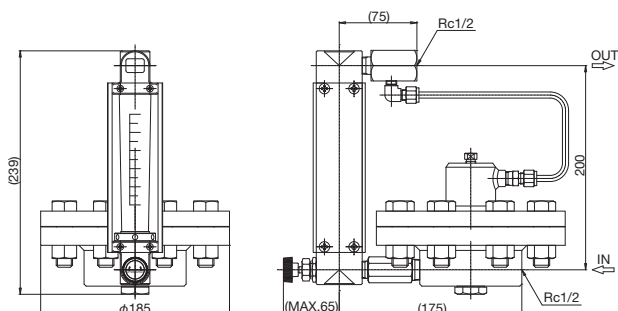
Possible Flow Ranges as PURGE SET

Water Min.0.5~5L/min.

Max.1~10L/min.

Air Min.15~150L/min (nor)

(0°C, 0MPa) Max.30~300L/min (nor)



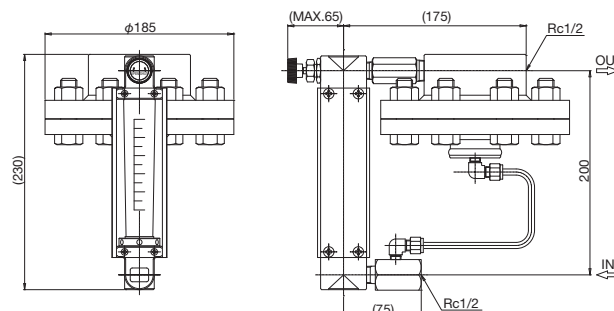
OUTLET PRESSURE VARIATION CONTROL TYPE

CP-42-500

Possible Flow Ranges as PURGE SET

Air Min.15~150L/min (nor)

(0°C, 0MPa) Max.30~300L/min (nor)



SPECIAL VERSIONS

PANEL MOUNT TYPE

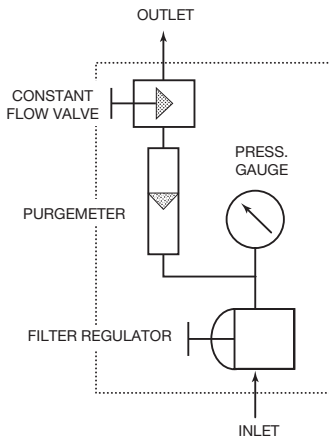
● OUTLINE

This is a combination of ONE purge set, one filter regulator and inlet pressure gauge on one panel board.

The necessary components for air purging are combined in one panel board that offers easy installation at site.

Stable purging flow is maintained even when the secondary (load) pressure varies.

● BLOCK DIAGRAM OF SYSTEM

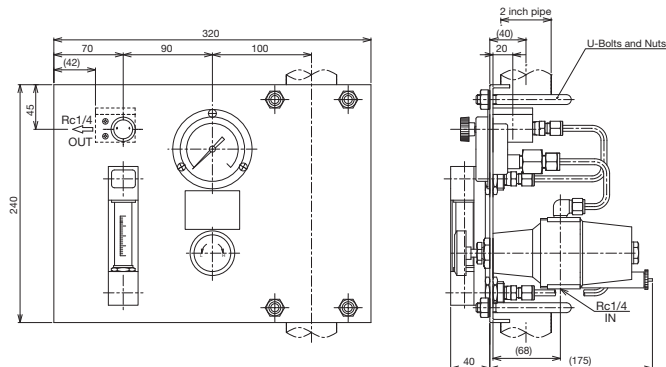


● STANDARD SPECIFICATION

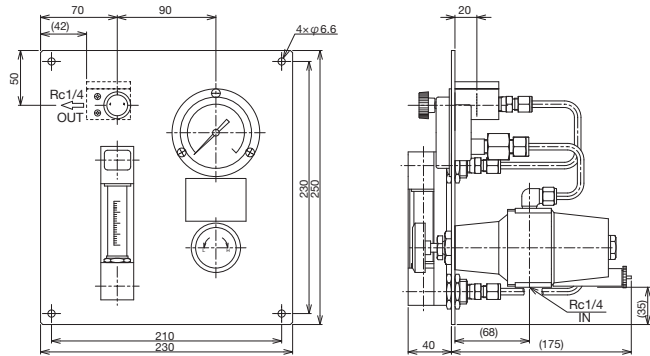
Type : Secondary pressure variation control type
Refer to the specifications of each component.

(The maximum fluid temperature is 45°C. Models for higher fluid temperature are available as option.)

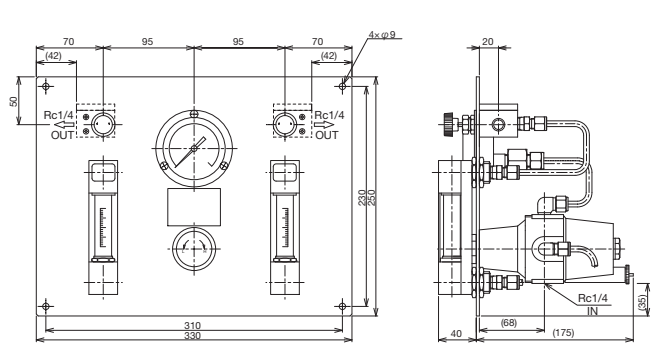
● DIMENSION



U bolt installation on 2 inch pipe CP-121-1AU



Wall or panel mount type CP-121-1A0



Wall or panel mount type CP-121-2A0



● MODEL CODE

Model Code										Descriptions	
CP -	12	-	-	A	-	-	-	-	-	-	
Constant flow valve	12										C-12
Purge meter model	1										P-100-00
	2										P-200-00
	4										P-400-00
Purge set Quantity	- 1										Single
	- 2										Double
Regulator and gauge				A							
Mounting	0										Panel or wall mount
	U										2 inch pipe
Material of gas contact part	- 4										SUS304
	- 6										SUS316
Gasket	N										Nitrile rubber (NBR)
	C										Chloroprene rubber (CR)
	F										Fluoro rubber
Diaphragm	C										Chloroprene rubber (CR)
	F										Fluoro rubber
Panel	S										SPCC
	4										SUS304
	6										SUS316
	E										Epoxy painting *
Process connection type	- R										Rc
	- N										NPT
Process connection size	1										1/8" (With adaptor)
	2										1/4"
	3										3/8" (With adaptor)
	4										1/2" (With adaptor)
Special										- Z	Special

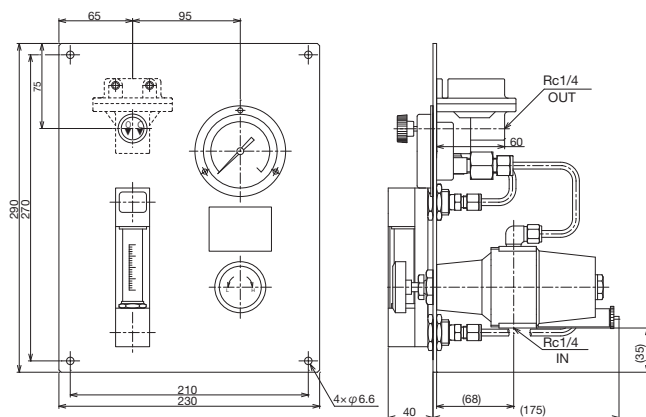
* For Epoxy painting, specify S/E, 4/E or 6/E.

● MODEL CODE

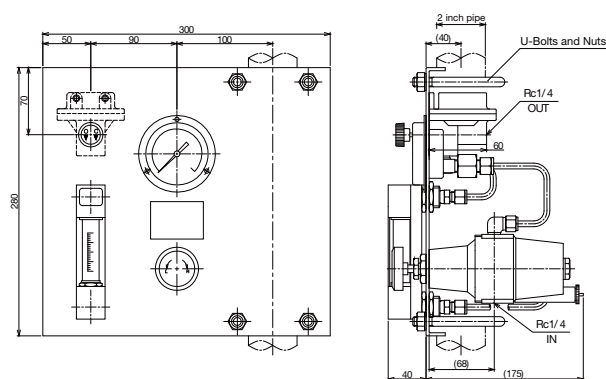
Model Code												Descriptions	
CP -	22	<input type="checkbox"/>	<input type="checkbox"/>	<input type="checkbox"/>	A	<input type="checkbox"/>	<input type="checkbox"/>	<input type="checkbox"/>	<input type="checkbox"/>	<input type="checkbox"/>	<input type="checkbox"/>		
Constant flow valve	22												C-22
Purge meter model	1												P-100-00
	2												P-200-00
	4												P-400-00
Purge set Quantity	- 1												Single
	- 2												Double
Regulator and gauge	A												
Mounting	0												Panel or wall mount
	U												2 inch pipe
Material of gas contact part	- 4												SUS304
	- 6												SUS316
Gasket	N												Nitrile rubber (NBR)
	F												Fluoro rubber
	C												Chloroprene rubber (CR)
Diaphragm	F												Fluoro rubber
	C												Chloroprene rubber (CR)
Panel	S												SPCC
	4												SUS304
	6												SUS316
	E												Epoxy painting *
Process connection type	- R												Rc
	- N												NPT
Process connection size	1												1/8"
	2												1/4"
	3												3/8"
	4												1/2"
Special												- Z	Special

* For Epoxy painting, specify S/E, 4/E or 6/E.

● DIMENSION



Wall or panel mount type CP-221-1A0



U bolt installation on 2 inch pipe CP-221-1AU

SPECIAL VERSIONS

AIR PURGING LEVEL MEASUREMENT TYPE (With PGT Bubbler Tube) CP-22-100-B

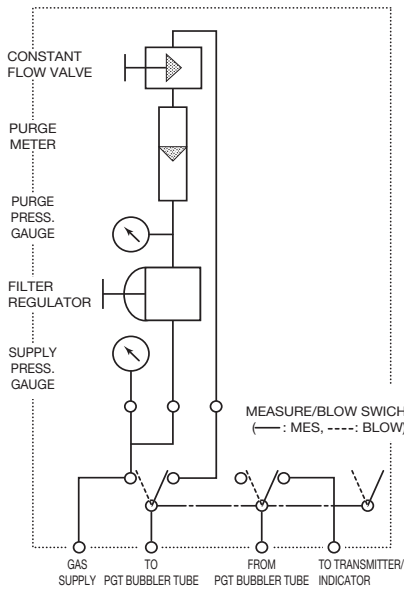
● OUTLINE

CP-22-100-B unit consist of a filter regulator, inlet/outlet pressure gauges and change-over valves used for changing of measuring mode or purging mode.

These components are assembled into one panel board for easy installation.

This unit, together with PGT bubbler tube, serves for tank level measurement containing solids, particles and sticky liquids.

● BLOCK DIAGRAM OF SYSTEM



● STANDARD SPECIFICATION

- Type : Secondary pressure variation control type
- Fluid : Air
- Supply air : 0.3~1 MPa
- Primary press. : To be adjusted to 0.2 MPa
- Secondary press. : 0~0.15 MPa
(This range shows the case when water level is 0 to 15000 mm)
- Scale range : 0.12~1.2L/min (std) (Air, 20°C, 0MPa)
- Indication accuracy : ±5% F.S.
- Control accuracy : ±5% F.S.
- Fluid temp. : Max. 45°C (models for higher fluid temperature are available as option.)
- Paint color : Munsell 7.5BG4/1.5

● Special requirements (specify the measuring length)

- Type : Secondary pressure variation control type
- Fluid : Air, Nitrogen and others
- Supply pressure : Max. 1 MPa
- Setting press. : 0.5 MPa or less
- Secondary press. : (set press. -0.4 MPa) ~ (set press. -0.06 MPa)
(Control Dp range)
- Available range (air, 0°C, 0MPa)
 - Min. : 0.1~1 L/min (nor)
 - Max. : 5~ 50 L/min (nor)
- Indication accuracy : ±5% F.S.
- Control accuracy : ±5% F.S.

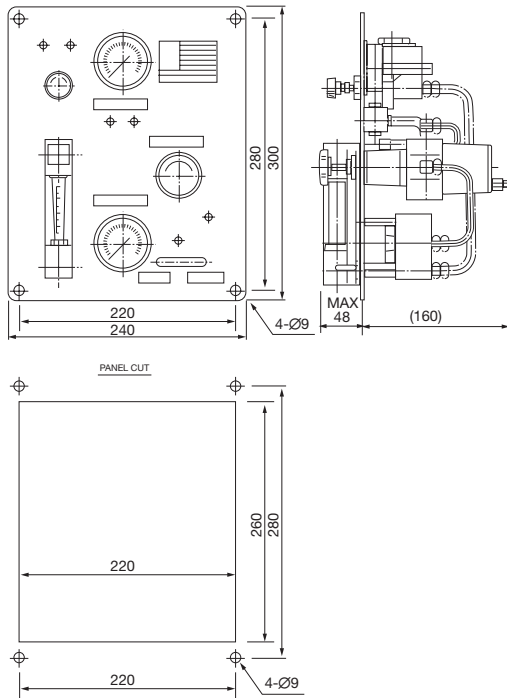
● MODEL CODE

Model Code										Descriptions	
CP-22-100-	<input type="checkbox"/>	<input type="checkbox"/>	<input type="checkbox"/>	<input type="checkbox"/>	<input type="checkbox"/>	<input type="checkbox"/>	<input type="checkbox"/>	<input type="checkbox"/>	<input type="checkbox"/>	<input type="checkbox"/>	
Purge set Quantity	B										Single
	2B										Double (Box type not available)
Mounting	blank										Panel or wall mount
	U										2 inch pipe
	Z										Box type (to be installed on 2 inch pipe)
Material of gas contact part	- C										C3604/SUS304, A6063
	- 4										SUS304, A6063
	- 6										SUS316, A6063
Gasket	N										Nitrile rubber (NBR)
	F										Fluoro rubber
	C										Chloroprene rubber (CR)
Diaphragm	F										Fluoro rubber
	C										Chloroprene rubber (CR)
Panel	S										SPCC
	4										SUS304
	6										SUS316
	E										Epoxy painting *
Process connection type	- R										Rc
	- N										NPT (F)
Process connection size	1										1/8" (With adaptor)
	2										1/4"
	3										3/8" (With adaptor)
	4										1/2" (With adaptor)
Special	- Z										Special

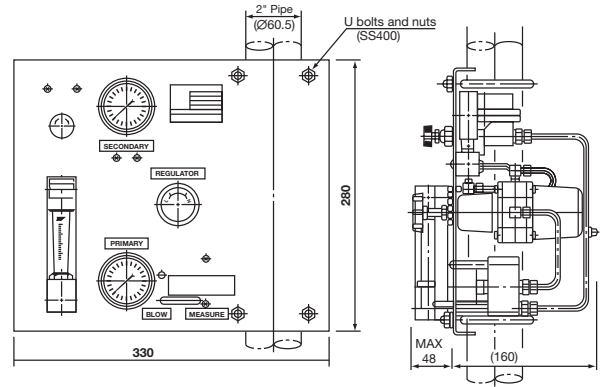
* For Epoxy painting, specify S/E, 4/E or 6/E.

● DIMENSION

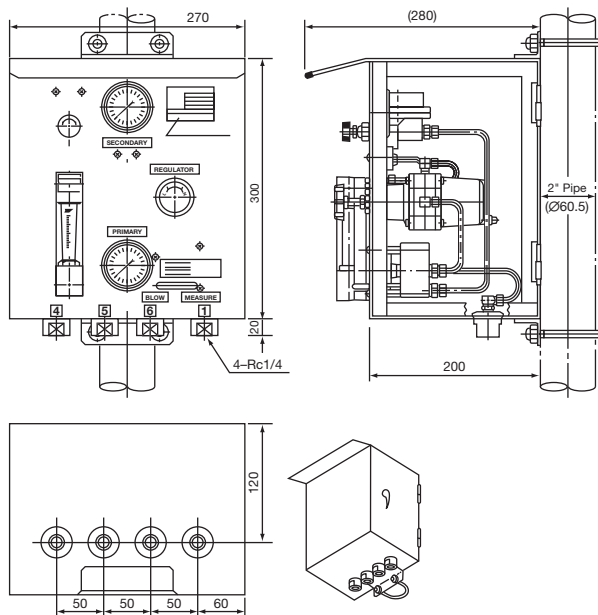
Wall or panel mount type CP-22-100-B



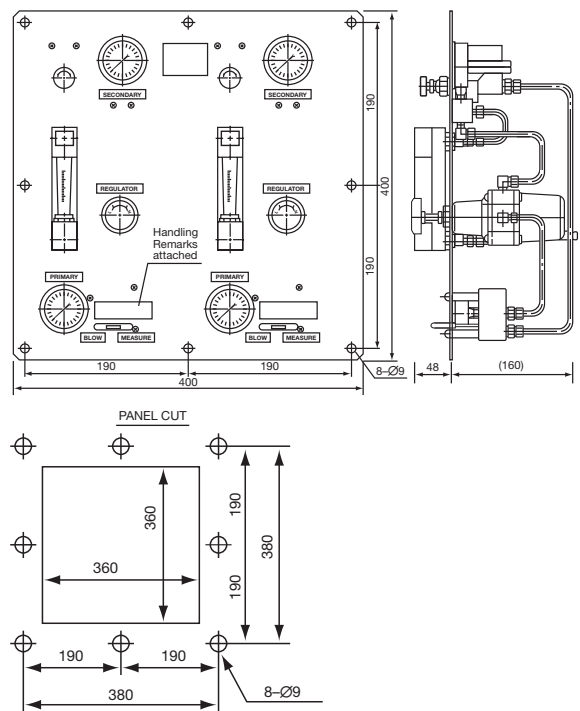
U bolt installation on 2 inch pipe CP-22-100-BU



Box type CP-22-100-BZ



Dual type CP-22-100-2B



PGT BUBBLER TUBE

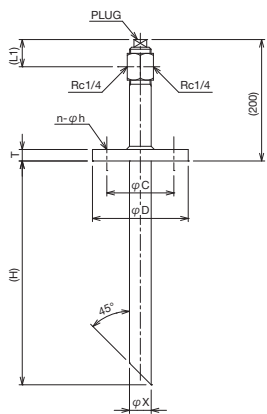
Pipe size : Stainless steel material 10, 15, 20, 25 mm
 PVC material 18, 26 mm
 Connection of purging gas : Rc1/4 (Other screw standards are available)

● MODEL CODE : Fixed flange (FW)

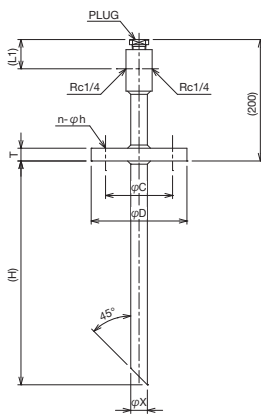
Model Code				Descriptions	Notes
PGT	- □ -	- □ -	- □ □ □ □ □		
Wetted parts material	- 4			SUS304	
	- 6			SUS316	
	- P			PVC	
	- Z			Special	
Flange rating		- FW10AJIS10K		Fixed flange (FW)	The standard is flat face (FF) flange. Flanges with raised face (RF) or other specifications and meter sizes are also available. Contact us for details.
		- FW15AJIS10K		Stainless steel material : 10A, 15A, 20A, 25A	
		- FW20AJIS10K		PVC material : 10A, 20A	
		- FW25AJIS10K			
Insertion tube length			H	Specify the insertion tube length in mm (a 5-digit number). Example: 03000 for 3000 mm Fixed flange (FW): H (Distance from the lower face of flange to pipe lower end)	Max. H for fixed flange (FW) Stainless steel material: 15800 mm (Socket type connection when H is 3800 mm or longer) PVC material: 3800 mm

● DIMENSION

Stainless steel material Fixed flange (FW)



PVC material Fixed flange (FW)



Stainless steel material Fixed flange (FW)

Flange rating	Pipe size (φ X)	L1	D	C	T	n-φ h
FW10AJIS10K	10A (17.3)	46	90	65	12	4-15
FW15AJIS10K	15A (21.7)	46	95	70	12	4-15
FW20AJIS10K	20A (27.2)	39	100	75	14	4-15
FW25AJIS10K	25A (34)	39	125	90	14	4-19

PVC material Fixed flange (FW)

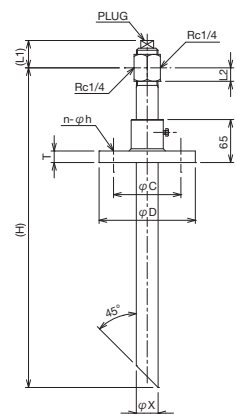
Flange rating	Pipe size (φ X)	L1	D	C	T	n-φ h
FW10AJIS10K	18A (18)	46	90	65	17	4-15
FW20AJIS10K	26A (26)	45	100	75	20	4-15

● MODEL CODE : Sliding flange (FS)

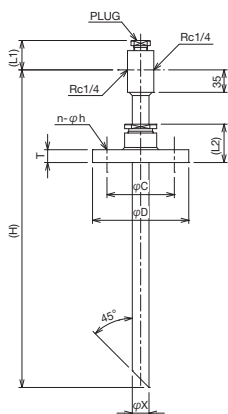
Model Code				Descriptions	Notes
PGT	- □ -	- □ -	- □ □ □ □ □		
Wetted parts material	- 4			SUS304	
	- 6			SUS316	
	- P			PVC	
	- Z			Special	
Flange rating		- FS15AJIS10K		Sliding flange (FS)	The standard is flat face (FF) flange. Flanges with raised face (RF) or other specifications and meter sizes are also available. Contact us for details.
		- FS20AJIS10K		Stainless steel material : 15A, 20A, 25A, 40A	
		- FS25AJIS10K		PVC material : 25A, 40A	
		- FS40AJIS10K			
Insertion tube length			H	Specify the insertion tube length in mm (a 5-digit number). Example: 03000 for 3000 mm Sliding flange (FS): H (Distance from the center of connecting Rc1/4 to pipe lower end)	Max. H for sliding flange (FS) Stainless steel material: 16000 mm (Socket type connection when H is 4000 mm or longer) PVC material: 4000 mm

● DIMENSION

Stainless steel material Sliding flange (FS)



PVC material Sliding flange (FS)



Stainless steel material Sliding flange (FS)

Flange rating	Pipe size (φ X)	L1	L2	D	C	T	n-φ h
FS15AJIS10K	10A (17.3)	46	32	95	70	12	4-15
FS20AJIS10K	15A (21.7)	46	32	100	75	14	4-15
FS25AJIS10K	20A (27.2)	39	24	125	90	14	4-19
FS40AJIS10K	25A (34)	39	21	140	105	16	4-19

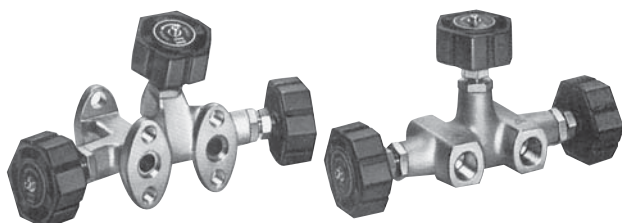
PVC material Sliding flange (FS)

Flange rating	Pipe size (φ X)	L1	L2	D	C	T	n-φ h
FS25AJIS10K	18A (18)	46	53	125	90	14	4-19
FS40AJIS10K	26A (26)	45	55	140	105	14	4-19

● OPTION DEVICES

Optional parts to measure level are available.

Contact us if required.

FKC DIFFERENTIAL PRESSURE TRANSMITTER**3 WAY VALVE**

* Specification is subject to change without notice.

TIV TOKYO KEISO CO., LTD.

Head Office : Shiba Toho Building, 1-7-24 Shibakoen, Minato-ku, Tokyo 105-8558

Tel : +81-3-3431-1625 (KEY) ; Fax : +81-3-3433-4922

e-mail : overseas.sales@tokyokeiso.co.jp ; URL : <https://www.tokyokeiso.co.jp>